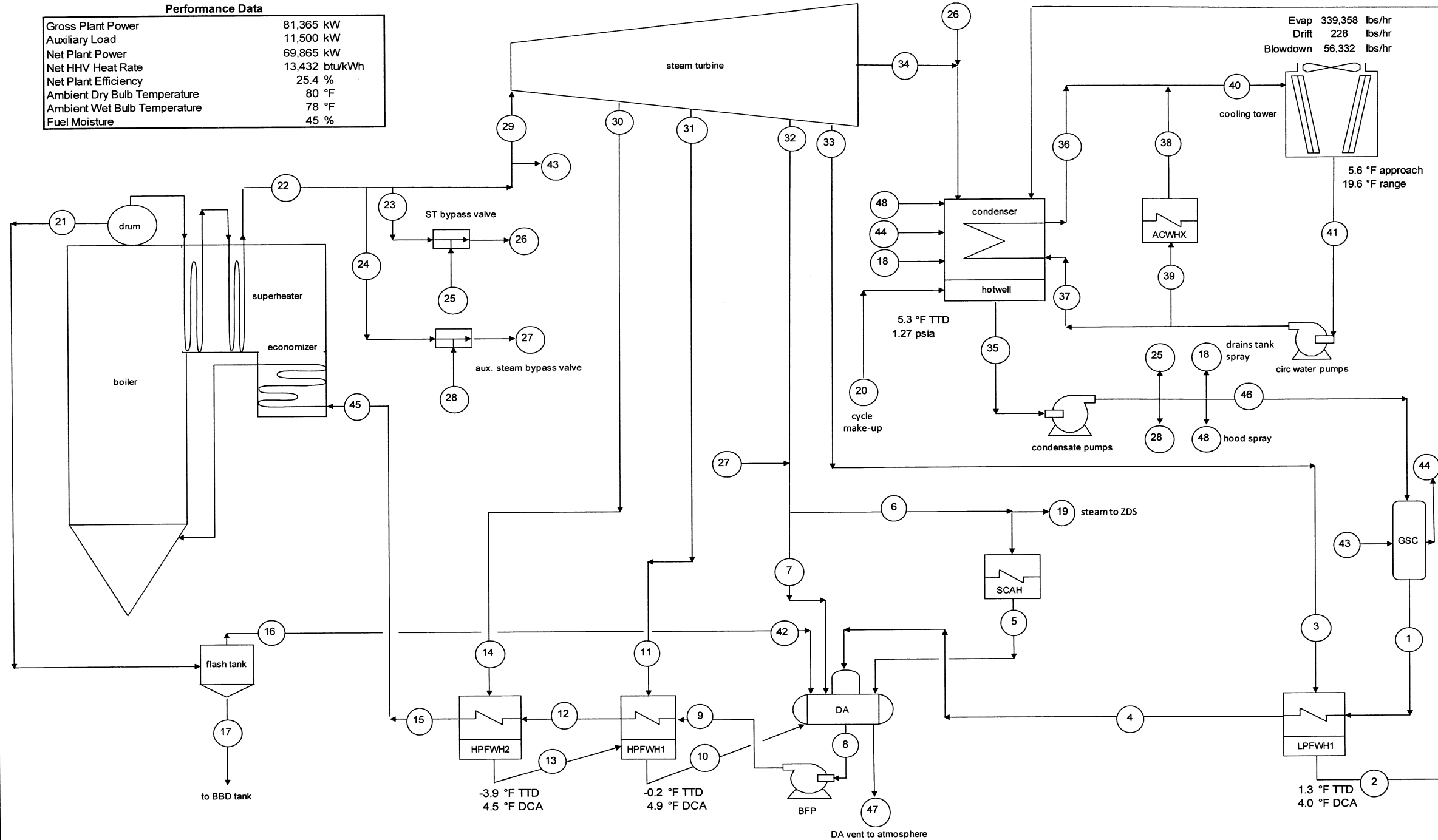


**Performance Data**

Gross Plant Power	81,365 kW
Auxiliary Load	11,500 kW
Net Plant Power	69,865 kW
Net HHV Heat Rate	13,432 btu/kWh
Net Plant Efficiency	25.4 %
Ambient Dry Bulb Temperature	80 °F
Ambient Wet Bulb Temperature	78 °F
Fuel Moisture	45 %



**Stream Data**

Stream #	Flow lb/hr	Temp. °F	Press. psia	Enthalpy btu/lb
1	509,954	110.7	350.00	79.6
2	37,687	114.7	8.4	82.7
3	37,687	184.9	8.4	1,078.0
4	509,954	183.6	350.00	152.4
5	9,300	252.5	33.28	221.1
6	11,300	256.3	33.28	1,164.6
7	35,977	256.3	33.28	1,164.7
8	657,576	256.3	33.28	225.0
9	657,576	259.7	2,135.90	232.8
10	99,806	264.6	124.6	233.7
11	51,409	478.0	124.6	1,265.5
12	657,577	344.3	2,122.32	319.0
13	48,397	348.8	280.7	320.8
14	48,397	650.6	280.7	1,343.5
15	657,588	415.2	2,108.81	393.6
16	3,088	258.2	34.38	1,166.8
17	3,488	258.2	34.38	227.0
18	30,000	109.7	350.00	78.7
19	2,000	256.3	33.28	1,164.6
20	6,038	60.0	30.00	28.2
21	6,576	633.7	1,969.68	668.3
22	651,000	1,005.0	1,634.00	1,489.7
23	0	-	-	-
24	0	-	-	-
25	0	-	-	-
26	0	-	-	-
27	0	-	-	-
28	0	-	-	-
29	650,560	1,000.0	1,590.0	1,488.0
30	48,397	651.5	287.8	1,343.5
31	51,409	478.8	128.1	1,265.5
32	47,277	258.9	34.8	1,164.6
33	37,687	187.9	8.9	1,078.0
34	465,788	109.9	1.3	985.1
35	539,954	109.4	1.27	77.4
36	20,800,000	104.7	50.00	72.8
37	20,800,000	84.3	50.00	52.5
38	2,000,000	99.3	50.00	67.5
39	2,000,000	84.3	50.00	52.5
40	22,800,000	104.2	50.00	72.4
41	22,800,000	84.3	14.60	52.4
42	3,088	257.5	33.28	1,166.8
43	440	436.3	14.20	1,257.2
44	440	210.2	14.20	178.4
45	657,588	415.4	2,007.97	393.6
46	509,954	109.7	350.00	78.7
47	550	256.3	33.28	1,166.2
48	0	-	-	-

**PRELIMINARY**  
AS OF 8/30/2011  
NOT FOR CONSTRUCTION

A ISSUED FOR COMMENTS					
NO.	REVISION	DATE	DRWN	DSND	CHKD
<b>GAINESVILLE RENEWABLE ENERGY CENTER</b>					
HEAT & MASS BALANCE 70% MCR DESIGN CASE SINGLE CW PUMP OPERATION					
DRAWN A. NELSON	DESIGNED T. PFLIEGER	CHECKED P. O'MELIA	CHECKED [Signature]		
APPROVED DM DR Bissen	DRAWING NUMBER B014200-CHBM00005	SHEET 01		REV A	



**ZACHRY**

ZACHRY ENGINEERING CORPORATION - 1515 ARAPAHOE STREET, TOWER 1, SUITE 900, DENVER, CO 80202-4256  
FLORIDA BOARD OF PROFESSIONAL ENGINEERS CERTIFICATE OF AUTHORIZATION #26739  
AMARILLO, TX CHARLOTTE, NC HOUSTON, TX MINNEAPOLIS, MN OMAHA, NE SAN ANTONIO, TX

ZACHRY ENGINEERING CORPORATION (ZACHRY) RETAINS ALL RIGHT, TITLE AND INTEREST, IN AND TO ALL INFORMATION INCLUDING, BUT NOT LIMITED TO, ALL INTELLECTUAL PROPERTY DEVELOPED BY, OR ON BEHALF OF, ZACHRY. NEITHER THIS DRAWING, NOR ANY INFORMATION CONTAINED HEREIN, SHALL BE REPRODUCED, USED OR RELIED UPON FOR THE PREPARATION OF DRAWINGS OR APPARATUS, OR FOR ANY OTHER PURPOSE, EXCEPT AS EXPRESSLY AUTHORIZED IN WRITING BY ZACHRY.