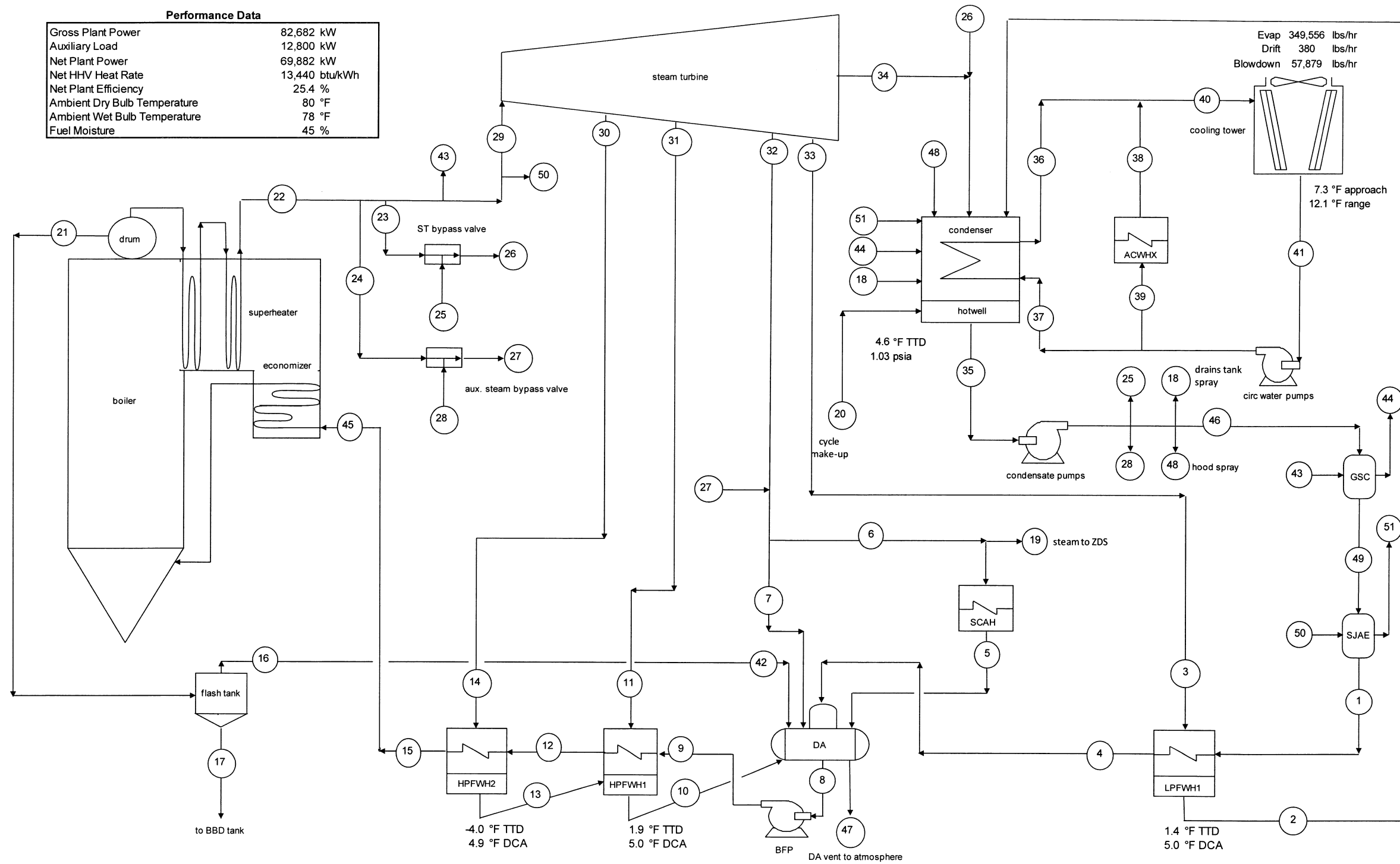


Performance Data

| | |
|------------------------------|----------------|
| Gross Plant Power | 82,682 kW |
| Auxiliary Load | 12,800 kW |
| Net Plant Power | 69,882 kW |
| Net HHV Heat Rate | 13,440 btu/kWh |
| Net Plant Efficiency | 25.4 % |
| Ambient Dry Bulb Temperature | 80 °F |
| Ambient Wet Bulb Temperature | 78 °F |
| Fuel Moisture | 45 % |



Stream Data

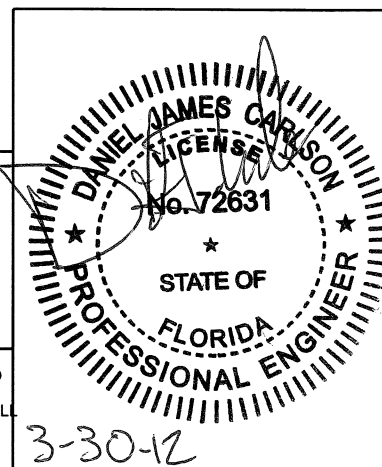
| Stream # | Flow lb/hr | Temp °F | Press. psia | Enthalpy btu/lb |
|----------|------------|---------|-------------|-----------------|
| 1 | 510,728 | 105 | 350.00 | 74 |
| 2 | 40,693 | 110 | 7.87 | 78 |
| 3 | 40,693 | 185 | 8.37 | 1,078 |
| 4 | 510,728 | 183 | 345.93 | 152 |
| 5 | 9,300 | 253 | 32.26 | 221 |
| 6 | 11,300 | 254 | 32.26 | 1,165 |
| 7 | 35,117 | 254 | 32.26 | 1,165 |
| 8 | 657,575 | 254 | 32.26 | 223 |
| 9 | 657,575 | 258 | 2,227.00 | 231 |
| 10 | 100,031 | 263 | 121.32 | 232 |
| 11 | 50,443 | 478 | 122.93 | 1,265 |
| 12 | 657,590 | 341 | 2,220.24 | 316 |
| 13 | 49,587 | 346 | 276.44 | 318 |
| 14 | 49,587 | 650 | 276.92 | 1,343 |
| 15 | 657,559 | 414 | 2,214.04 | 392 |
| 16 | 2,954 | 257 | 33.66 | 1,166 |
| 17 | 3,622 | 257 | 33.66 | 226 |
| 18 | 1,000 | 103 | 350.00 | 72 |
| 19 | 2,000 | 254 | 32.26 | 1,165 |
| 20 | 6,172 | 60 | 30.00 | 28 |
| 21 | 6,576 | 621 | 1,800.04 | 648 |
| 22 | 651,000 | 1,005 | 1,634.00 | 1,490 |
| 23 | 0 | - | - | - |
| 24 | 0 | - | - | - |
| 25 | 0 | - | - | - |
| 26 | 0 | - | - | - |
| 27 | 0 | - | - | - |
| 28 | 0 | - | - | - |
| 29 | 649,825 | 1,000 | 1,590.00 | 1,488 |
| 30 | 49,587 | 651 | 286.82 | 1,343 |
| 31 | 50,443 | 479 | 127.91 | 1,265 |
| 32 | 46,417 | 259 | 34.81 | 1,165 |
| 33 | 40,693 | 188 | 8.86 | 1,078 |
| 34 | 462,687 | 103 | 1.03 | 974 |
| 35 | 511,727 | 102 | 1.03 | 70 |
| 36 | 36,000,000 | 98 | 40.69 | 66 |
| 37 | 36,000,000 | 87 | 50.00 | 55 |
| 38 | 2,000,000 | 102 | 50.00 | 70 |
| 39 | 2,000,000 | 87 | 50.00 | 55 |
| 40 | 38,000,000 | 98 | 40.69 | 67 |
| 41 | 38,000,000 | 87 | 14.60 | 55 |
| 42 | 2,954 | 256 | 32.26 | 1,166 |
| 43 | 440 | 436 | 14.20 | 1,257 |
| 44 | 440 | 210 | 14.20 | 178 |
| 45 | 657,559 | 414 | 1,876.04 | 392 |
| 46 | 510,728 | 103 | 350.00 | 72 |
| 47 | 550 | 254 | 32.26 | 1,166 |
| 48 | 0 | - | - | - |
| 49 | 510,728 | 104 | 350.00 | 72 |
| 50 | 735 | 436 | 14.20 | 1,257 |
| 51 | 735 | 210 | 14.20 | 178 |



ZACHRY

ZACHRY ENGINEERING CORPORATION - 1515 ARAPAHOE STREET, TOWER 1, SUITE 900, DENVER, CO 80202-4256
 FLORIDA BOARD OF PROFESSIONAL ENGINEERS CERTIFICATE OF AUTHORIZATION #26739
 AMARILLO, TX CHARLOTTE, NC HOUSTON, TX MINNEAPOLIS, MN OMAHA, NE SAN ANTONIO, TX

ZACHRY ENGINEERING CORPORATION (ZACHRY) RETAINS ALL RIGHT, TITLE AND INTEREST, IN AND TO ALL INFORMATION INCLUDING, BUT NOT LIMITED TO, ALL INTELLECTUAL PROPERTY DEVELOPED BY, OR ON BEHALF OF, ZACHRY. NEITHER THIS DRAWING, NOR ANY INFORMATION CONTAINED HEREIN, SHALL BE REPRODUCED, USED OR RELIED UPON FOR THE PREPARATION OF DRAWINGS OR APPARATUS, OR FOR ANY OTHER PURPOSE, EXCEPT AS EXPRESSLY AUTHORIZED IN WRITING BY ZACHRY.



| 0 | ISSUED FOR CONSTRUCTION | | | | | |
|-----|-------------------------|------|------|------|------|------|
| NO. | REVISION | DATE | DRWN | DSND | CHKD | CHKD |

GAINESVILLE RENEWABLE ENERGY CENTER
 HEAT & MASS BALANCE
 70% MCR DESIGN CASE

| | | | |
|---------------------------|-------------------------------------|-------------------------|-----------------------------|
| DRAWN M.L. PETERSEN | DESIGNED T. PFLIEGER | CHECKED F. ARMSTRONG | IN CHECKED BY D. CARLSON |
| APPROVED DM D. Bissen | DRAWING NUMBER B014200-CHBM00004 | | SHEET 01 |
| APPROVED PM T. SCHAPPA | | | REV 0 |