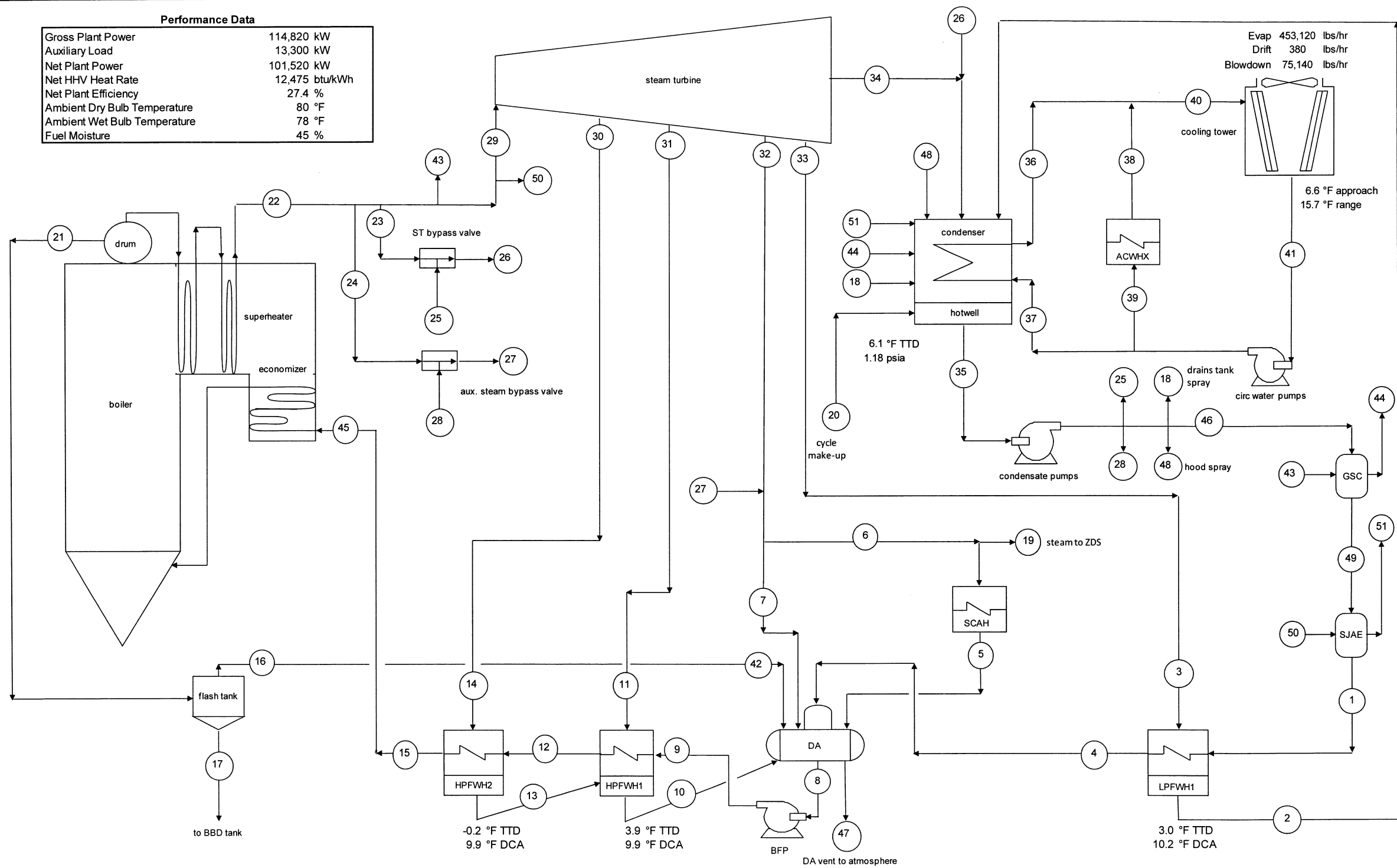


Performance Data

Gross Plant Power	114,820 kW
Auxiliary Load	13,300 kW
Net Plant Power	101,520 kW
Net HHV Heat Rate	12,475 btu/kWh
Net Plant Efficiency	27.4 %
Ambient Dry Bulb Temperature	80 °F
Ambient Wet Bulb Temperature	78 °F
Fuel Moisture	45 %



Stream Data

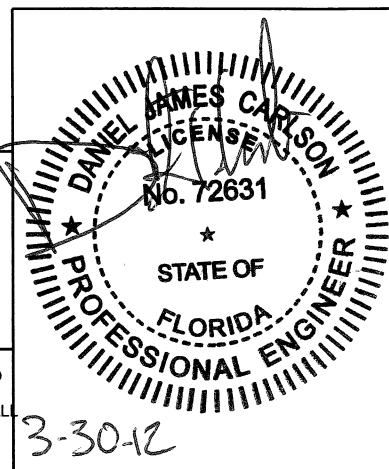
Stream #	Flow lb/hr	Temp. °F	Press. psia	Enthalpy btu/lb
1	690,256	109	350.00	78
2	61,174	119	10.10	87
3	61,174	198	11.11	1,076
4	690,256	195	343.05	164
5	14,200	252	43.31	220
6	16,200	272	43.31	1,164
7	52,225	272	43.31	1,164
8	909,191	272	43.31	241
9	909,191	276	2,287.00	249
10	149,097	286	163.08	255
11	74,440	485	166.32	1,265
12	909,206	363	2,275.11	338
13	74,658	373	376.00	346
14	74,658	661	376.98	1,343
15	909,209	439	2,264.15	419
16	3,965	274	44.71	1,172
17	5,127	274	44.71	243
18	1,000	107	350.00	76
19	2,000	272	43.31	1,164
20	7,677	60	30.00	28
21	9,092	621	1,799.15	648
22	900,100	1,005	1,634.00	1,490
23	0	-	-	-
24	0	-	-	-
25	0	-	-	-
26	0	-	-	-
27	0	-	-	-
28	0	-	-	-
29	898,925	1,000	1,590.00	1,488
30	74,658	663	393.17	1,343
31	74,440	487	174.20	1,265
32	68,425	278	47.38	1,164
33	61,174	202	11.94	1,076
34	620,228	107	1.18	964
35	691,254	107	1.18	75
36	36,000,000	101	40.72	69
37	36,000,000	86	50.00	54
38	2,000,000	101	50.00	69
39	2,000,000	86	50.00	54
40	38,000,000	101	40.72	69
41	38,000,000	86	14.60	54
42	3,965	273	43.31	1,172
43	440	436	14.20	1,257
44	440	210	14.20	178
45	909,209	439	1,875.15	419
46	690,256	107	350.00	76
47	550	272	43.31	1,171
48	0	-	-	-
49	690,256	108	350.00	77
50	735	436	14.20	1,257
51	735	210	14.20	178



ZACHRY

ZACHRY ENGINEERING CORPORATION - 1515 ARAPAHOE STREET, TOWER 1, SUITE 900, DENVER, CO 80202-4256
 FLORIDA BOARD OF PROFESSIONAL ENGINEERS CERTIFICATE OF AUTHORIZATION #26739
 AMARILLO, TX CHARLOTTE, NC HOUSTON, TX MINNEAPOLIS, MN OMAHA, NE SAN ANTONIO, TX

ZACHRY ENGINEERING CORPORATION (ZACHRY) RETAINS ALL RIGHT, TITLE AND INTEREST, IN AND TO ALL INFORMATION INCLUDING, BUT NOT LIMITED TO, ALL INTELLECTUAL PROPERTY DEVELOPED BY, OR ON BEHALF OF, ZACHRY. NEITHER THIS DRAWING, NOR ANY INFORMATION CONTAINED HEREIN, SHALL BE REPRODUCED, USED OR RELIED UPON FOR THE PREPARATION OF DRAWINGS OR APPARATUS, OR FOR ANY OTHER PURPOSE, EXCEPT AS EXPRESSLY AUTHORIZED IN WRITING BY ZACHRY.



0	ISSUED FOR CONSTRUCTION					
NO.	REVISION	DATE	DRWN	DSND	CHKD	CHKD

GAINESVILLE RENEWABLE ENERGY CENTER

**HEAT & MASS BALANCE
GUARANTEE DESIGN CASE**

DRAWN M.L. PETERSEN	DESIGNED T. FFLIEGER	CHECKED F. ARMSTRONG	CHECKED D. Carlson
APPROVED DM D. Bissen	DRAWING NUMBER B014200-CHBM00002	SHEET 01	REV 0
APPROVED PM T. SCHAPPA			