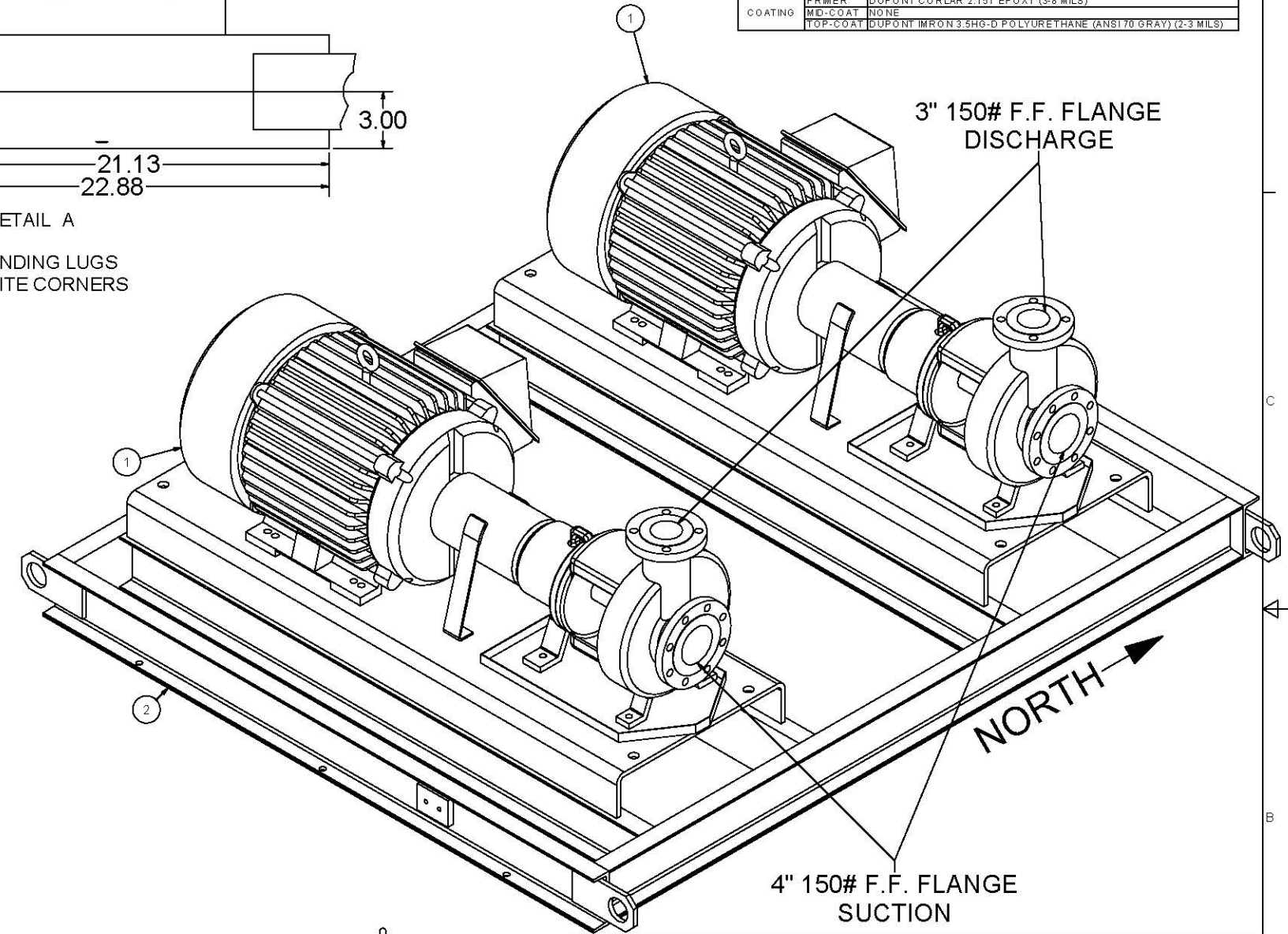


DETAIL A
GROUNDING LUGS
OPPOSITE CORNERS

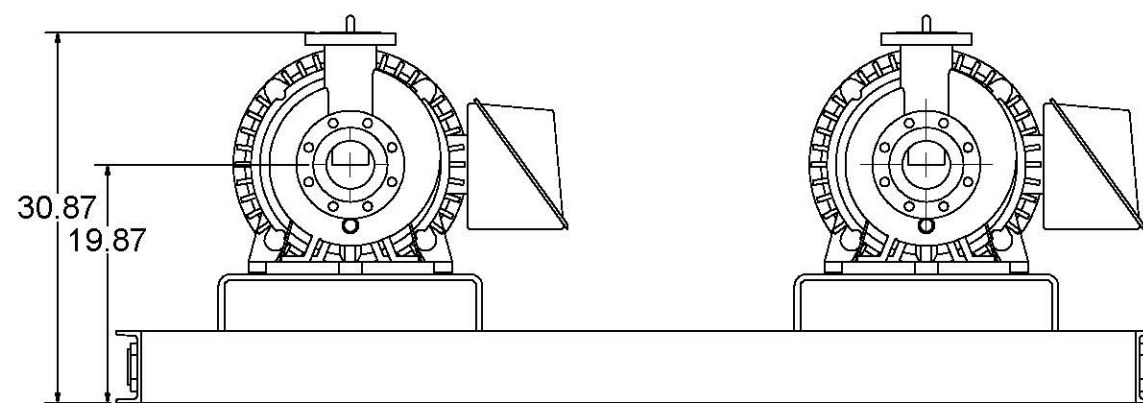
NORTH ↑



NORTH →

ITEM		QTY	PART NUMBER	DESCRIPTION
1	2		SERVICE WATER PUMPSET	FLOWSERVE 2K 4X3-10 PUMP, 60 HP, 3,600 RPM, 364TS FRAME MOTOR
2	1		SERVICE WATER BASE	

BUILD SPECS	
MATERIAL	A36 STRUCTURAL STEEL
WELD SPEC	AWSD1.1
SURFACE BLAST	MEDIA ALUMINUM OXIDE
FINISH	SSPC 6
PRIMER	DUPONT CORLAR 2.15T EPOXY (3-8 MILS)
MD-COAT	NONE
TOP-COAT	DUPONT IMRON 3.5HG-D POLYURETHANE (ANSI 70 GRAY) (2-3 MILS)



SKID TAG NO: SWS-SKD-1002
 PUMP TAG NO: SWS-PP-1002A; SWS-PP-1002B
 DESCRIPTION: SERVICE WATER PUMP
 PROJECT TAG NUMBER: Gainesville Renewable Energy Center
 (FAGEN Job Number: 104009.502)



FUREY FILTER & PUMP, INC.
 N 117 W 19237 FULTON DR.,
 GERMANTOWN, WI 53022
 WWW.FUREYFP.COM (262)-293-0333

PROJECT DESCRIPTION	SERVICE WATER PUMP SKID	DESIGNER	E. RODRIGUEZ	PROJECT ENGINEER	J. CAMPBELL	JOB	J04366
DRAWING DESCRIPTION	GENERAL ARRANGEMENT	DATE DRAWN	1/14/2012	DATE CHECKED	2/13/2012	REVISION	1
CUSTOMER	FAGEN	DESIGN STATE	WorkInProgress	SIZE	D		
CUSTOMER P.O. NUMBER	554748	DRAWING NUMBER	J04366-SW-GA-1	SHEET			1 OF 2

DIMENSIONS IN INCHES UNLESS SPECIFIED
 ALL CUSTOMER CONNECTIONS HAVE A TOLERANCE OF ±.12"