



Attached Document

LUBRICATION SKID GENERAL ARRANGEMENT DRAWING

Flowserve Document Title: LUBRICATION SKID GENERAL ARRANGEMENT DRAWING

Flowserve Document Number : COS 11-10P40239-6605

Project Name : FAGEN GAINESVILLE
Customer Name : FAGEN INC.
Customer PO Number : 104009
End User : Gainesville Renewable Energy
Site/Location : FAGEN GAINESVILLE

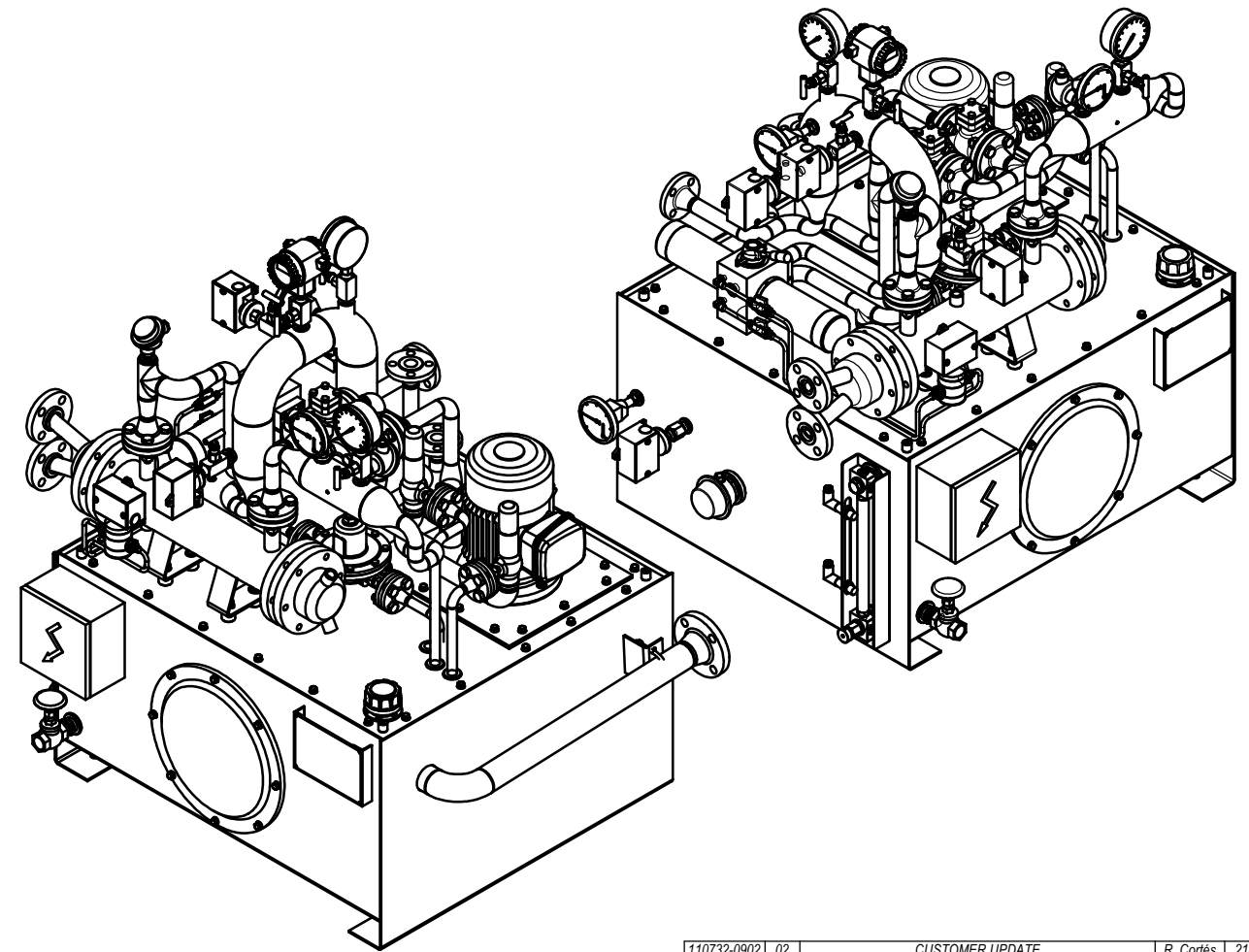
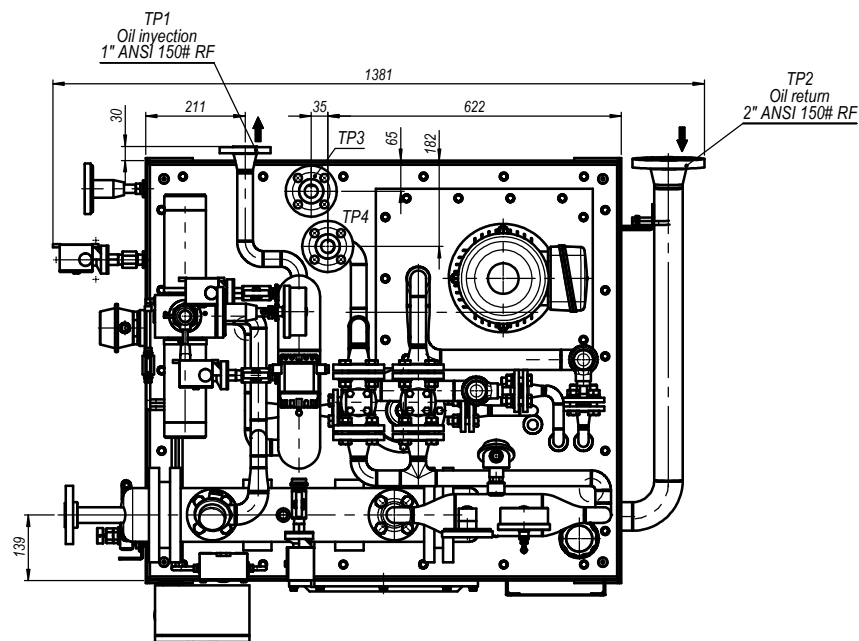
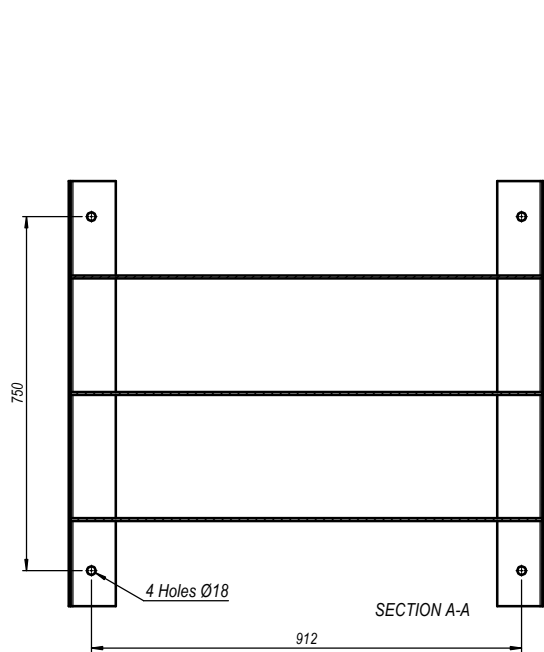
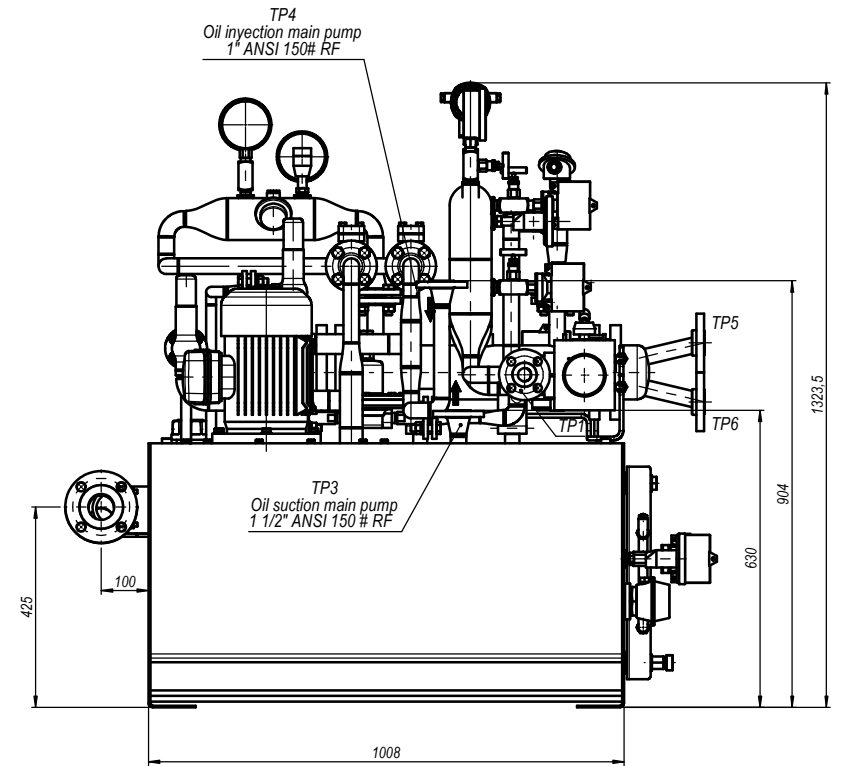
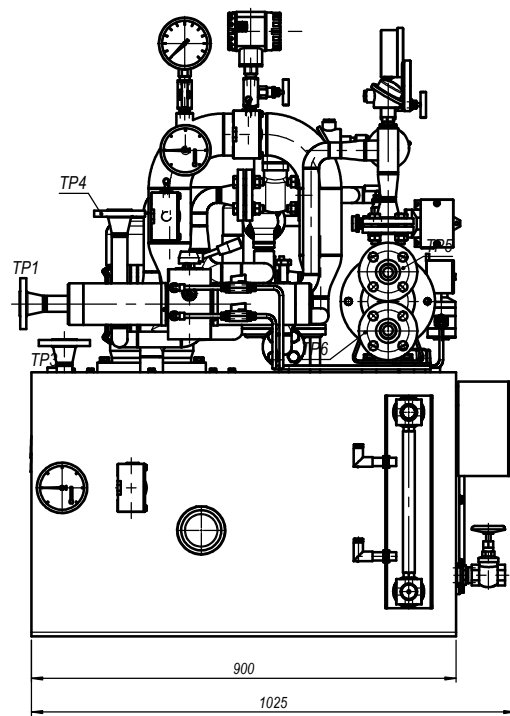
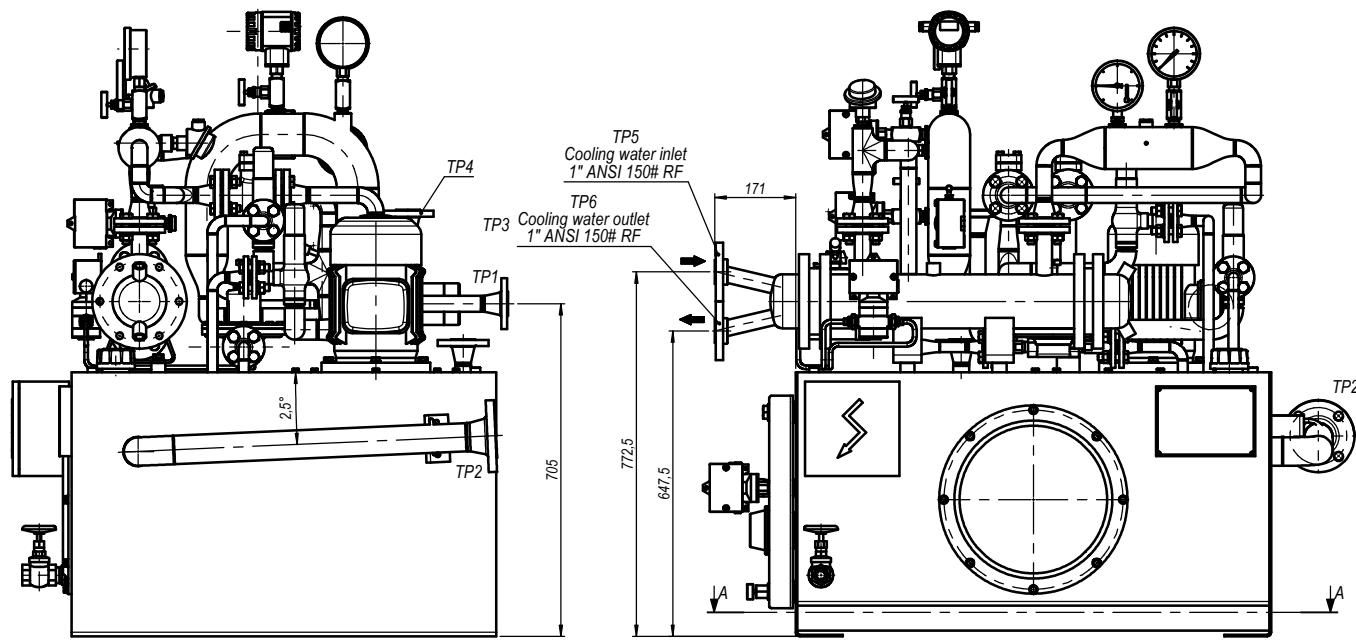
Flowserve Order/Line : COS 11-10P40239

Equipment Type : WXH
Equipment Size : 6x15

Quantity : 2
Equipment Service : BFP

Please complete and return:			
Document Reviewed by:		Document Reviewed date:	
<input type="checkbox"/> APPROVED. NO ACTION REQUIRED <input type="checkbox"/> APPROVED. RE-SUBMIT AS FINAL. <input type="checkbox"/> APPROVED EXCEPT AS NOTED. DOCUMENT WILL BE MODIFIED AND RESUBMITTED AS FINAL. <input type="checkbox"/> REJECTED. CORRECT AND RE-SUBMIT FOR APPROVAL.			

LOB	LOB	LOB	C		24/04/2012
LOB	LOB	LOB	B		28/03/2012
LOB	LOB	LOB	A		16/03/2012
MaC	LOB	LOB	00		28/11/2011
PREPARED	CHECKED	APPROVED	Revision No.	Status/Desc	Date Approved

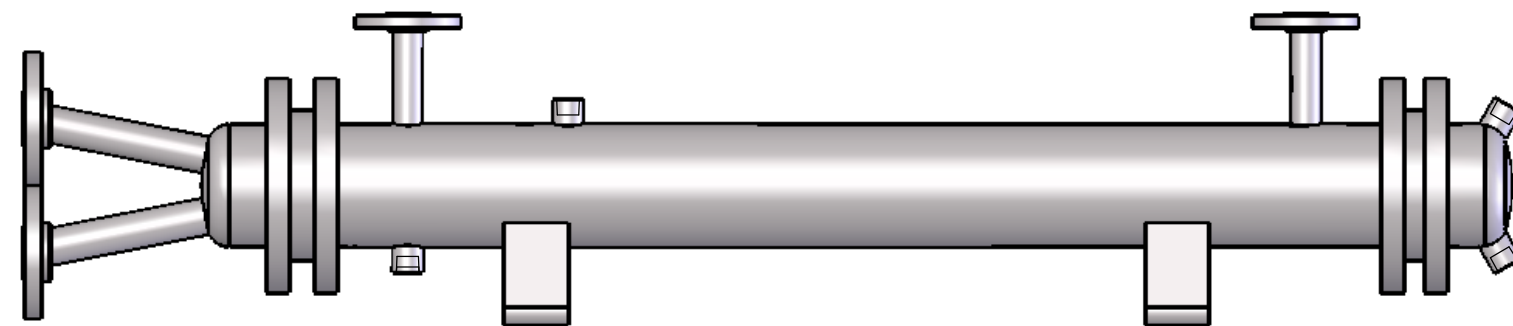


110732-0902	02	CUSTOMER UPDATE	R. Cortés	21/03/2012
110732-0901	01	GENERAL UPDATE	R. Cortés	14/03/2012
OM	REV.	DESCRIPCION MODIFICACION	NOMBRE	FECHA
DIBUJADO/Name		FECHA/Date	MATERIAL/Material	PESO/Weight
R. Cortés		14/03/2012		402.89 Kg
COMPROBADO/Checked		FECHA/Date	TRATAMIENTO/Treatment	
D. Gracia		14/03/2012		
CLIENTE / Customer		ESCALA/Scale	TOLERANCIA	TOLERANCIA
FLOWERVE SPAIN		1:8	MECANICA	MECANICA
PEDIDO CLIENTE/Customer order		DENOMINACION/Denomination	NUMERO/Number	10JA
40239		ASSEMBLY	PC110732-03	Sheet
Destino/Destination		OIL LUBRICATION SYSTEM 29 LPM		REV
				Issue
				1/3
				02




ESTE PLANO ES CONFIDENCIAL Y SU REPRODUCCION SIN AUTORIZACION

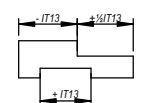
THIS DRAWING IS CONFIDENTIAL AND ALL RIGHTS ARE RESERVED BY NORTEK S.A. COPY THIS DOCUMENT WITHOUT CONSENT OF THE COMPANY IS PROHIBITED.



SOLDADURA / WELDING		
Procedimiento / Procedure	Proceso / Process	Aplica / To apply
NORK-250	GMAW+FCAW	X
NORK-400	GTAW+SMAW	X
NORK-200	GMAW	
NORK-440	GTAW	

01	Actualizar segun indicaciones de cliente	J.Trullen	20/04/2011
02	Subir resistencia y cambiar brida presion obmba principal	J.Trullen	26/04/2011
03	Actualizar plano	J.Trullen	27/05/2011
04	Change flange sizes	J.Trullen	10/06/2011
05	Modified junction box, added proximity switch	J.Trullen	08/07/2011
REV.	ESTADO ANTES MODIFICACION	NOMBRE	FECHA

 ESCALA 1:10	DIBUJADO J.L.Serrano	FECHA 02/08/2010	MATERIAL ACERO CARBONO	PESO 43.27
	COMPROBADO	FECHA 02/08/2010	TRATAMIENTO	
DESIGNACION		PIEZA N°		HOJA REV
INTERCAMBIADOR DE CALOR TUBULAR		CONEXIONES ACEITE 3/4" 150RF AGUA 1" 300RF		2/3 02

NUMERO	PEDIDO N°	PEDIDO CLIENTE	CLIENTE	DESTINO
COTAS SIN INDICAR EN EL DIBUJO				
PIEZAS SOLDADAS: TOLERANCIA ± 10mm. EN TODAS DISTANCIAS PIEZAS MECANIZADAS PARA EXTERIORES: h13 = - IT13 PARA INTERIORES: H13 = + IT13 COTAS DE LONGITUD: J13 = ± 1/2 IT13				RUGOSIDAD RA RUG. BRUTA RUG. BASTA RUG. FINA RUG. RECTIFICADA RUG. BRUÑIDA
ROSCAS = GRADO MEDIO TODAS ESQUINAS CON CHAFLAN 0,5x45° LOS RINCONES CON RADIO 0,5				

Year	Month	Day	Time	Location	Activity	Remarks
2018	1	1	08:00
2018	1	2	08:00
2018	1	3	08:00
2018	1	4	08:00
2018	1	5	08:00
2018	1	6	08:00
2018	1	7	08:00
2018	1	8	08:00
2018	1	9	08:00
2018	1	10	08:00
2018	1	11	08:00
2018	1	12	08:00
2018	1	13	08:00
2018	1	14	08:00
2018	1	15	08:00
2018	1	16	08:00
2018	1	17	08:00
2018	1	18	08:00
2018	1	19	08:00
2018	1	20	08:00
2018	1	21	08:00
2018	1	22	08:00
2018	1	23	08:00
2018	1	24	08:00
2018	1	25	08:00
2018	1	26	08:00
2018	1	27	08:00
2018	1	28	08:00
2018	1	29	08:00
2018	1	30	08:00
2018	1	31	08:00
2018	2	1	08:00
2018	2	2	08:00
2018	2	3	08:00
2018	2	4	08:00
2018	2	5	08:00
2018	2	6	08:00
2018	2	7	08:00
2018	2	8	08:00
2018	2	9	08:00
2018	2	10	08:00
2018	2	11	08:00
2018	2	12	08:00
2018	2	13	08:00
2018	2	14	08:00
2018	2	15	08:00
2018	2	16	08:00
2018	2	17	08:00
2018	2	18	08:00
2018	2	19	08:00
2018	2	20	08:00
2018	2	21	08:00
2018	2	22	08:00
2018	2	23	08:00
2018	2	24	08:00
2018	2	25	08:00
2018	2	26	08:00
2018	2	27	08:00
2018	2	28	08:00
2018	2	29	08:00
2018	2	30	08:00
2018	2	31	08:00
2018	3	1	08:00
2018	3	2	08:00
2018	3	3	08:00
2018	3	4	08:00
2018	3	5	08:00
2018	3	6	08:00
2018	3	7	08:00
2018	3	8	08:00
2018	3	9	08:00
2018	3	10	08:00
2018	3	11	08:00
2018	3	12	08:00
2018	3	13	08:00
2018	3	14	08:00
2018	3	15	08:00
2018	3	16	08:00
2018	3	17	08:00
2018	3	18	08:00
2018	3	19	08:00
2018	3	20	08:00
2018	3	21	08:00
2018	3	22	08:00
2018	3	23	08:00
2018	3	24	08:00
2018	3	25	08:00
2018	3	26	08:00
2018	3	27	08:00
2018	3	28	08:00
2018	3	29	08:00
2018	3	30	08:00
2018	3	31	08:00
2018	4	1	08:00
2018	4	2	08:00
2018	4	3	08:00
2018	4	4	08:00
2018	4	5	08:00
2018	4	6	08:00
2018	4	7	08:00
2018	4	8	08:00
2018	4	9	08:00
2018	4	10	08:00
2018	4	11	08:00
2018	4	12	08:00
2018	4	13	08:00
2018	4	14	08:00
2018	4	15	08:00
2018	4	16	08:00
2018	4	17	08:00
2018	4	18	08:00
2018	4	19	08:00
2018	4	20	08:00
2018	4	21	08:00
2018	4	22	08:00
2018	4	23	08:00
2018	4	24	08:00
2018	4	25	08:00
2018	4	26	08:00
2018	4	27	08:00
2018	4	28	08:00
2018	4	29	08:00
2018	4	30	08:00
2018	4	31	08:00
2018	5	1	08:00
2018	5	2	08:00
2018	5	3	08:00
2018	5	4	08:00
2018	5	5	08:00
2018	5	6	08:00
2018	5	7	08:00
2018	5	8	08:00
2018	5	9	08:00
2018	5	10	08:00
2018	5	11	08:00
2018	5	12	08:00
2018	5	13	08:00
2018	5	14	08:00
2018	5	15	08:00
2018	5	16	08:00
2018	5	17	08:00
2018	5	18	08:00
2018	5	19	08:00
2018	5	20	08:00
2018	5	21	08:00
2018	5	22	08:00
2018	5	23	08:00
2018	5	24	08:00
2018	5	25	08:00
2018	5	26	08:00
2018	5	27	08:00
2018	5	28	08:00
2018	5	29	08:00
2018	5	30	08:00
2018	5	31	08:00
2018	6	1	08:00
2018	6	2	08:00
2018	6	3	08:00
2018	6	4	08:00
2018	6	5	08:00
2018	6	6	08:00
2018	6	7	08:00
2018	6	8	08:00
2018	6	9	08:00
2018	6	10	08:00
2018	6	11	08:00
2018	6	12	08:00
2018	6	13	08:00
2018	6	14	08:00
2018	6	15	08:00
2018	6	16	08:00
2018	6	17	08:00
2018	6	18	08:00
2018	6	19	08:00
2018	6	20	08:00
2018	6	21	08:00
2018	6	22	08:00
2018	6	23	08:00
2018	6	24	08:00
2018	6	25	08:00
2018	6	26	08:00
2018	6	27	08:00
2018	6	28	08:00
2018	6	29	08:00
2018	6	30	08:00
2018	6	31	08:00
2018	7	1	08:00
2018	7	2	08:00
2018	7	3	08:00
2018	7	4	08:00
2018	7	5	08:00
2018	7	6	08:00
2018	7	7	08:00
2018	7	8	08:00
2018	7	9	08:00
2018	7	10	08:00
2018	7	11	08:00
2018	7	12	08:00
2018	7	13	08:00
2018	7	14	08:00
2018	7	15	08:00
2018	7	16	08:00
2018	7	17	08:00
2018	7	18	08:00
2018	7	19	08:00
2018	7	20	08:00
2018	7	21	08:00
2018	7	22	08:00
2018	7	23	08:00
2018	7	24	08:00
2018	7	25	08:00
2018	7	26	08:00
2018	7	27	08:00
2018	7	28	08:00
2018	7	29	08:00
2018	7	30	08:00
2018	7	31	08:00
2018	8	1	08:00
2018	8	2	08:00
2018	8	3	08:00
2018	8	4	08:00
2018	8	5	08:00
2018	8	6	08:00
2018	8	7	08:00
2018	8	8	08:00
2018	8	9	08:00
2018	8	10	08:00
2018	8	11	08:00
2018	8	12	08:00
2018	8	13	08:00
2018	8	14	08:00
2018	8	15	08:00
2018	8	16	08:00
2018	8	17	08:00
2018	8	18	08:00
2018	8	19	08:00
2018	8	20	08:00
2018	8	21	08:00
2018	8	22	08:00
2018	8	23	08:00
2018	8	24	08:00
2018	8	25	08:00
2018	8	26	08:			