

HOLTEC PROPRIETARY

D

C

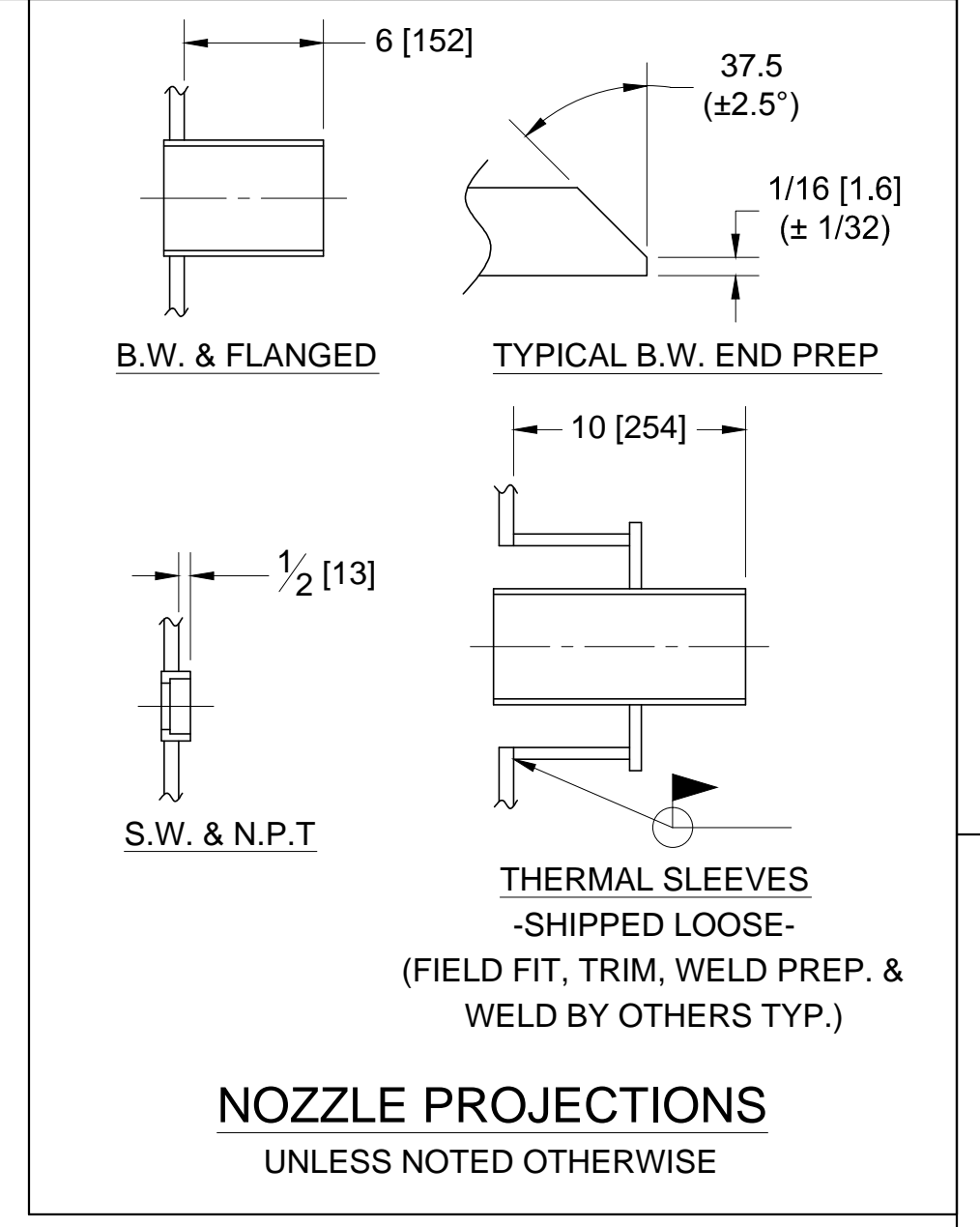
B

A

HOLTEC PROPRIETARY

NOZZLE SCHEDULE

Table with columns: HOLTEC CONN. NO., SERVICE DESCRIPTION, SIZE (IN.), CONNECTION TYPE (FLANGE, BUTT WELD END, SOCKET WELD, NPT - FEMALE, PIPE SCHEDULE / RATING, MATERIAL), PROCESS DATA (FLOWS EACH CONNECTION (LBS./HR.), PRESSURE (PSIA), TEMPERATURE (F), ENTHALPY (BTU/LB)), FREQUENCY OF OPERATION (CONTINUOUS, INTERMITTENT, START-UP ONLY, EMERGENCY), ALLOWABLE FORCES (FORCE (LBF)), ALLOWABLE MOMENTS (MOMENT (LB-FT)), ADDITIONAL NOZZLE REQUIREMENTS (IMPINGEMENT PLATE, THERMAL SLEEVE, STEAM SPARGER, WATER SPRAY PIPING), REMARKS.

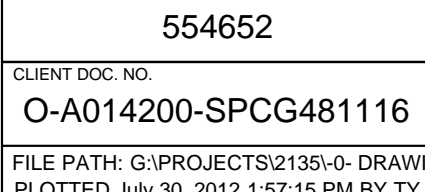
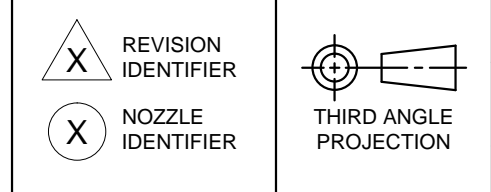


NOZZLE NOTES:
1. THE FOLLOWING NOZZLES WILL BE SHIPPED LOOSE FOR FIELD INSTALLATION (BY OTHERS): D1, D2, F, G
2. NOZZLE IS SPARE AND SHALL BE PROVIDED WITH CAP PLATE (FOR BW CONNECTION), PLUG (FOR SW/NPT CONNECTION), OR BLIND FLANGE (FOR FLANGED CONNECTION). NOZZLE SHALL BE AVAILABLE FOR USE AFTER INITIAL OPERATION OF CONDENSER IF NECESSARY.

THIS DRAWING IS THE INTELLECTUAL PROPERTY OF HOLTEC INTERNATIONAL. IT IS PROVIDED TO THE RECIPIENT UNDER THE EXPLICIT CONDITION THAT IT WILL NOT BE DUPLICATED IN WHOLE OR PART, OR GIVEN TO OTHERS WITHOUT WRITTEN CONSENT OF HOLTEC INTERNATIONAL.

Project information block including: PROJECT / CLIENT: GAINESVILLE RENEWABLE ENERGY CENTER, FAGEN, INC.; TITLE: GENERAL ARRANGEMENT DRAWING FOR STEAM SURFACE CONDENSER; ENGINEER: ZACHRY ENGINEERING CORPORATION; CLIENT JOB NO.: 104009; CLIENT P.O. NO.: 554652; LOCATION: GAINESVILLE, FLORIDA; CLIENT DOC. NO.: O-A014200-SPCG481116; SIZE: D; PROJECT NO.: 2135; DRAWING NO.: 8284; SHEET: 7 OF 8; REV.: 7.

UNLESS OTHERWISE SPECIFIED: ALL DIMENSIONS ARE IN INCHES. BRACKETED [] DIMENSIONS ARE IN mm. DO NOT SCALE DRAWING. INTERPRET DIMENSIONING AND TOLERANCING PER ASME Y14.5M-1994. TOLERANCES PER APPLICABLE H.E.I. STANDARD.



HOLTEC PROPRIETARY

D

C

B

A

HOLTEC PROPRIETARY

M014200-CND/A00001 507 R7