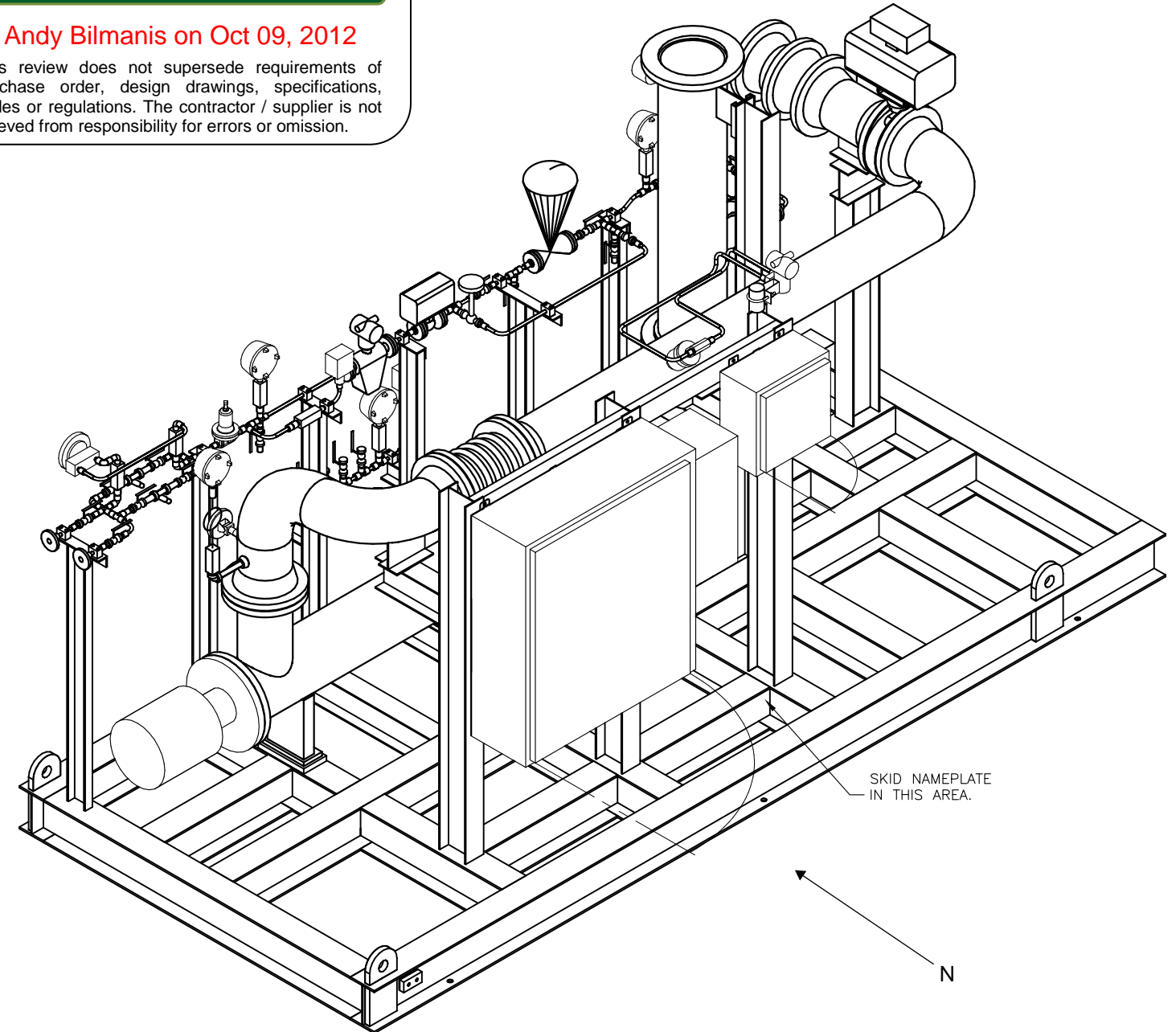
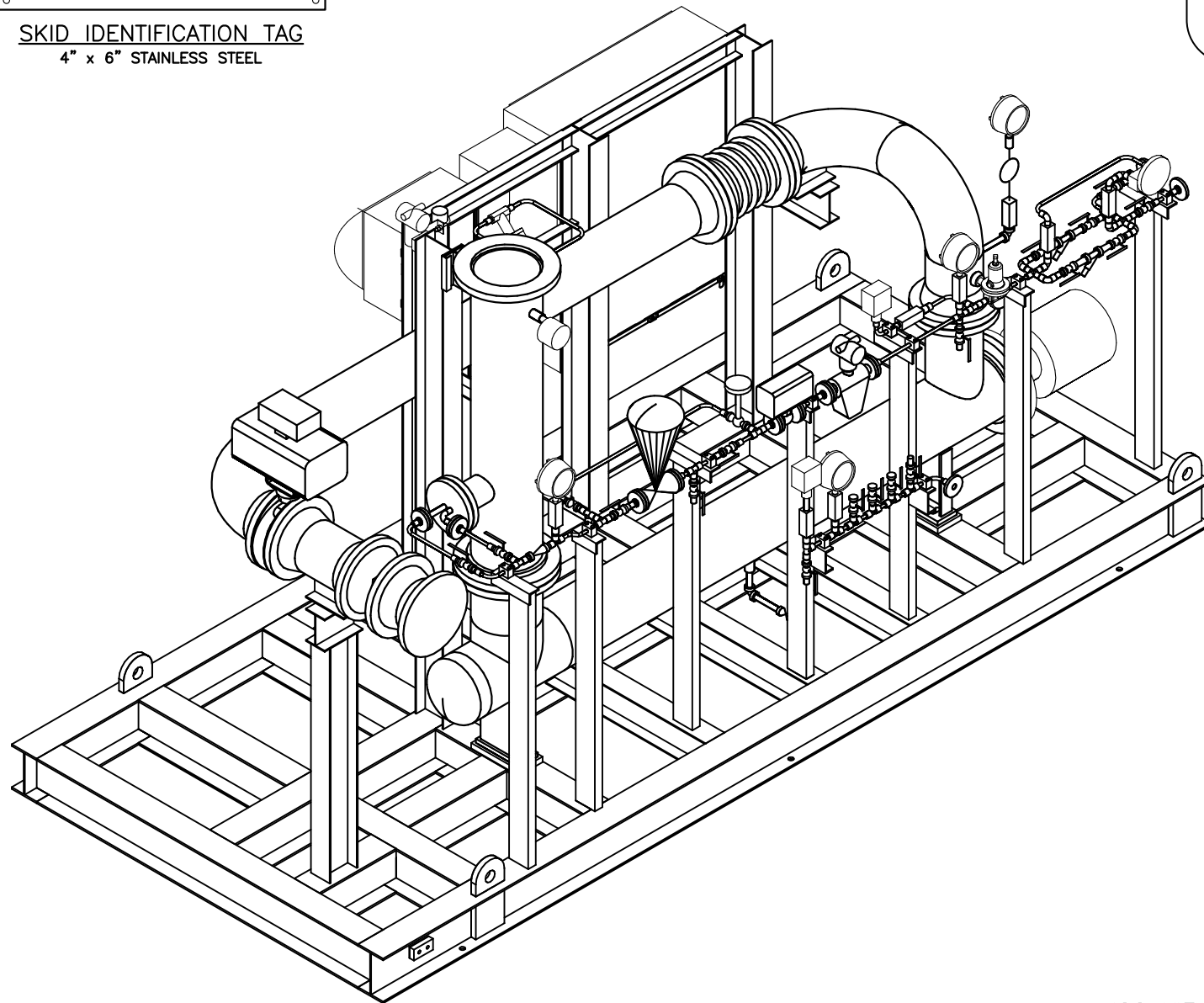


DESCRIPTION: AMMONIA FLOW CONTROL SKID  
 CUSTOMER: FUEL TECH  
 USER: GAINESVILLE RENEWABLE ENERGY CENTER  
 PROJECT: GAINESVILLE RENEWABLE ENERGY CEN.  
 CUST. PO: 34081-1  
 IFS JOB: 25014 YEAR: 2012  
 INTEGRATED FLOW SOLUTIONS, TYLER, TX, USA  
 PH.: 001-903-595-6511  
 EMAIL: SUPPORT@IFSOLUTIONS.COM

**FUEL TECH**  
**CERTIFIED**  
 KIK 09/25/2012 4:54:30 PM

**metso** Approved  
 For Fabrication  
 By Andy Bilmanis on Oct 09, 2012  
 This review does not supersede requirements of purchase order, design drawings, specifications, codes or regulations. The contractor / supplier is not relieved from responsibility for errors or omission.

**SKID IDENTIFICATION TAG**  
 4" x 6" STAINLESS STEEL



ISO VIEWS  
 (FOR REFERENCE ONLY)

- NOTES:  
 1. FOR PLAN VIEW SEE DWG. NO.: G-25014-01.  
 2. FOR ELEVATION VIEW SEE DWG. NO.: G-25014-02.  
 3. FOR END VIEW SEE DWG. NO.: G-25014-03.



**INTEGRATED FLOW SOLUTIONS**

6461 REYNOLDS RD, TYLER, TEXAS, USA 75708  
 PHONE NUMBER: +1 (903) 595-6511  
 EMAIL: SUPPORT@IFSOLUTIONS.COM

THIS DRAWING IS THE PROPERTY OF INTEGRATED FLOW SOLUTIONS AND SHALL NOT BE REPRODUCED, COPIED, LENT, NOR USED FOR ANY PURPOSE OTHER THAN THAT WHICH IT IS FURNISHED EXCEPT BY WRITTEN PERMISSION.

REV.	DATE	DESCRIPTION	DES	ENG
0	22FEB12	APPROVED FOR CONSTRUCTION	RM	RC
B	06JAN12	ISSUED FOR CUSTOMER APPROVAL	RM	RC
A	15DEC11	ISSUED FOR CUSTOMER APPROVAL	RM	RC

PROJECT: GAINESVILLE RENEWABLE ENERGY CENTER (GREC)  
 CUSTOMER NAME: FUEL TECH  
 END USER: GAINESVILLE RENEWABLE ENERGY CENTER (GREC)  
 SYSTEM DESCRIPTION: AMMONIA FLOW CONTROL SKID (AFCU)  
 CUSTOMER PO#: 34081-1  
 ESTIMATED DRY WEIGHT: 5900 LBS.  
 ESTIMATED OPERATING WEIGHT: 5950 LBS.

**GENERAL ARRANGEMENT  
 AMMONIA FLOW CONTROL SKID (AFCU)**

CLIENT No.: **P00090757**

SCALE:	SECTION	JOB	SHEET	TOTAL SHEETS	REV.
PM.: D. POLLAN		G - 25014 - 04		4	0