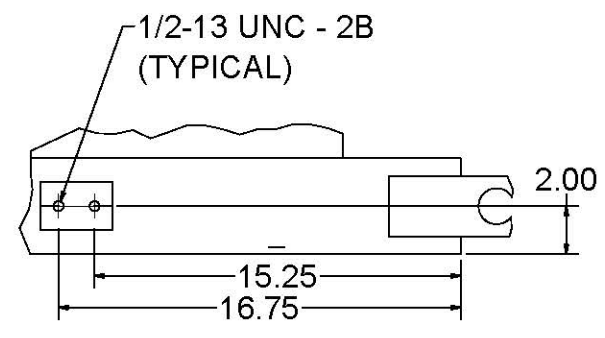
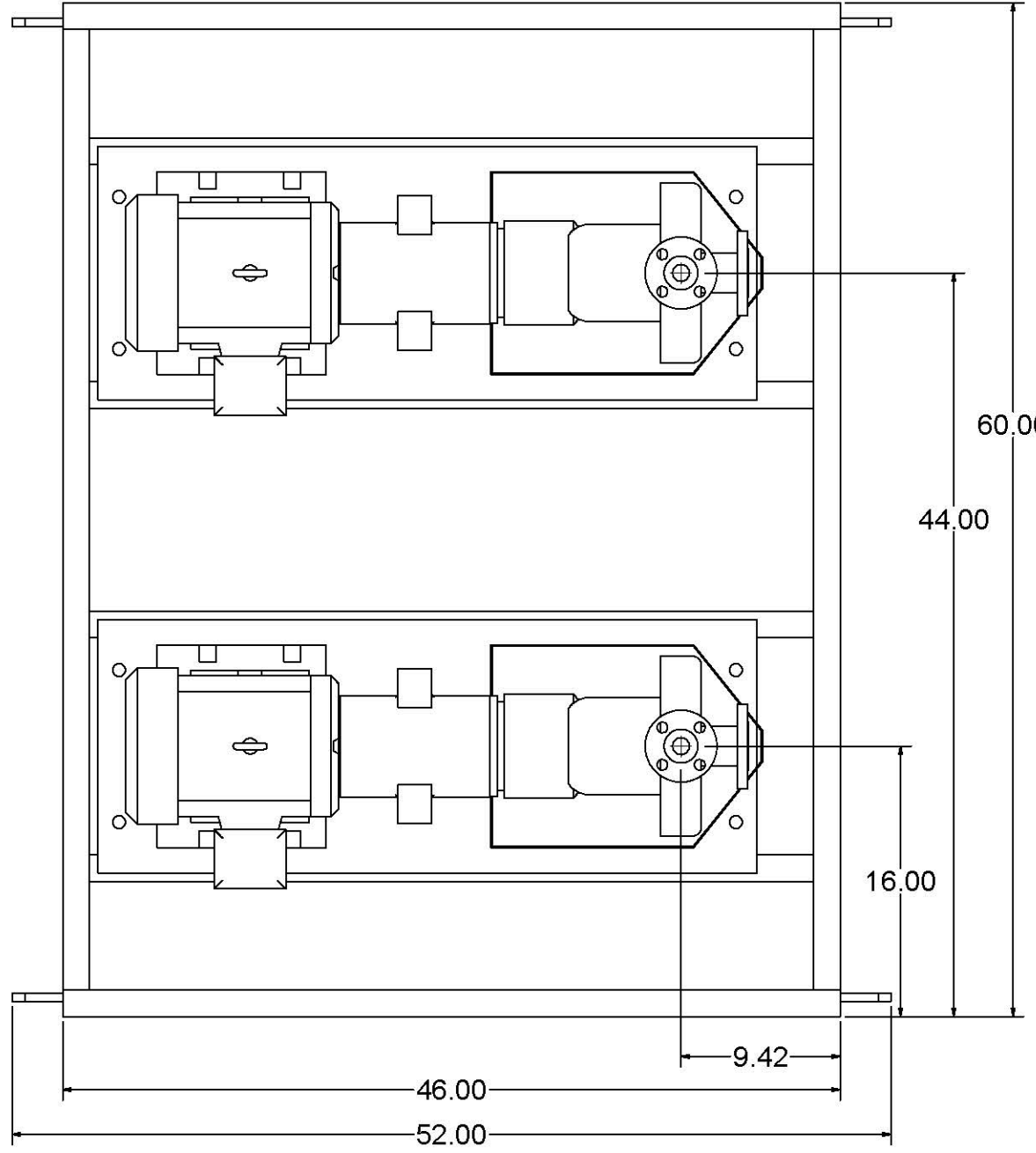
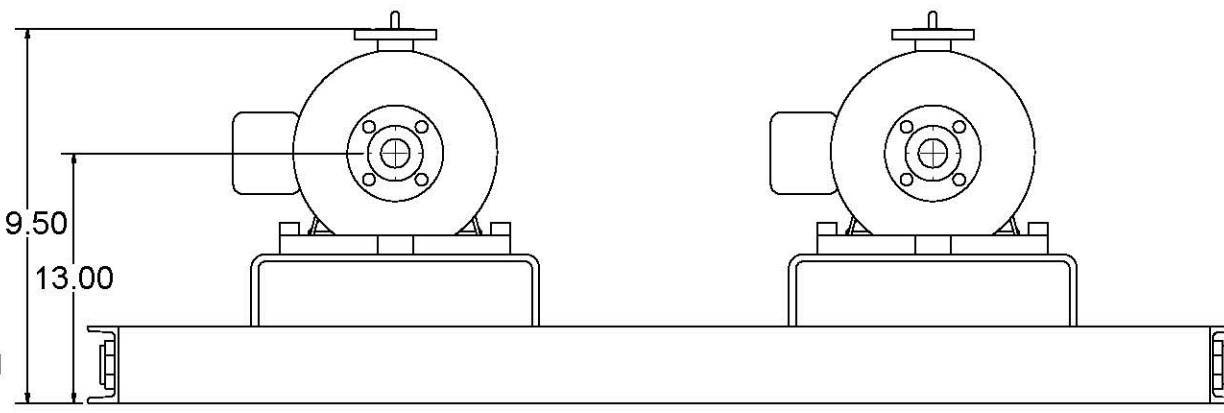
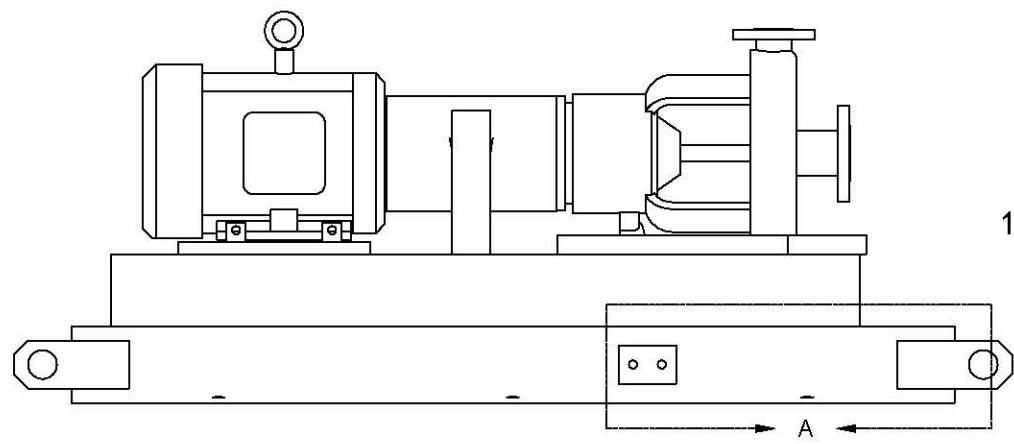
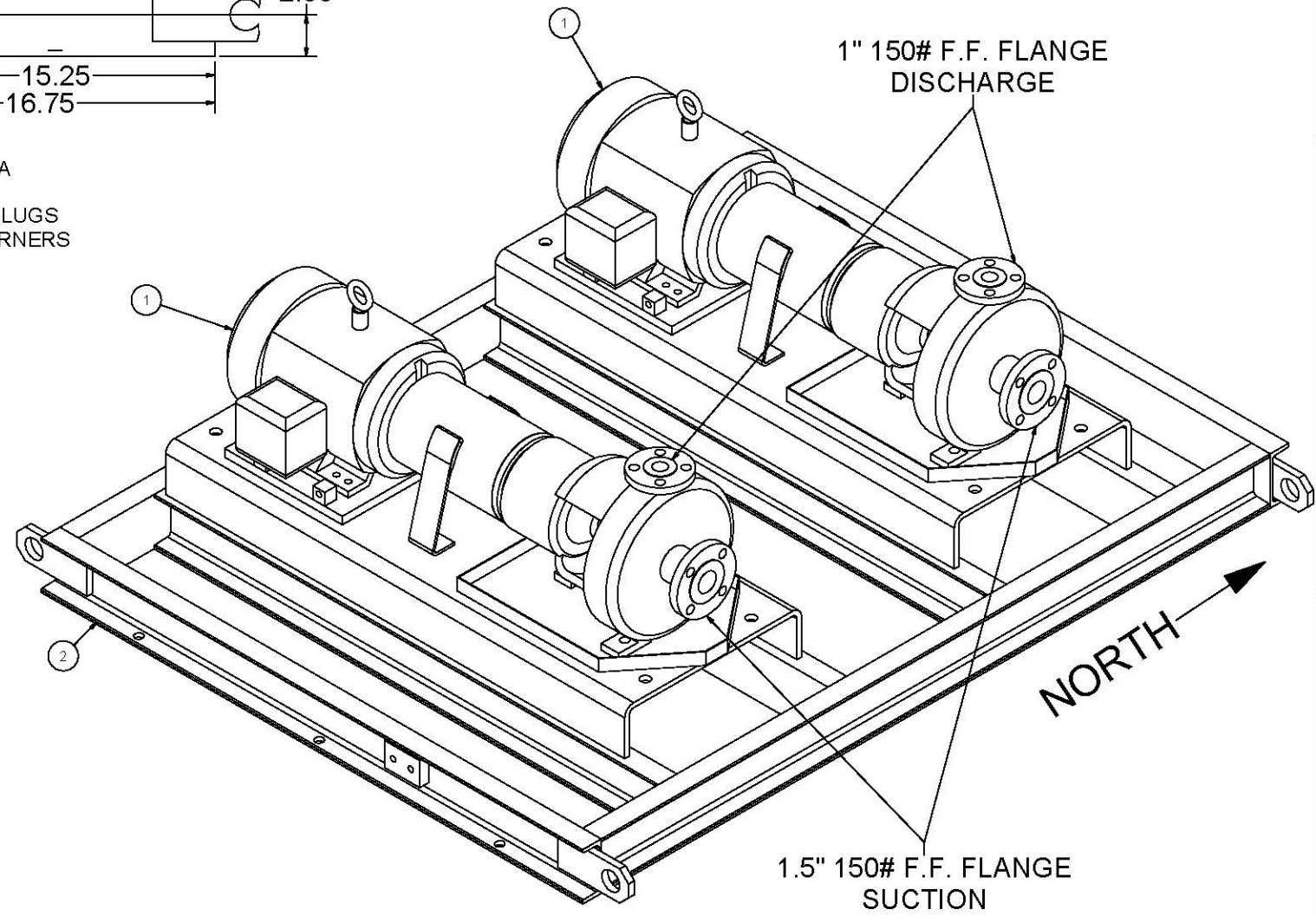


ITEM		QTY	PART NUMBER	DESCRIPTION
1	2		CYCLE WATER MAKEUP PUMPSET	FLOWSERVE 1K 1.5X1-62 PUMP, 5 HP, 3,600 RPM, 184T FRAME MOTOR
2	1		CYCLE WATER MAKEUP BASE	

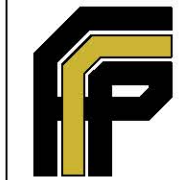
BUILD SPECS	
MATERIAL	A36 STRUCTURAL STEEL
WELD SPEC	AWSD1.1
SURFACE	MEDIA ALUMINUM OXIDE
BLAST	FINISH SSPC 6
PRIMER	DUPONT CORLAR 2.1ST EPOXY (3-8 MILS)
MD-COAT	NONE
TOP-COAT	DUPONT IMRON 3.5HG-D POLYURETHANE (ANSI 70 GRAY) (2-3 MILS)



DETAIL A  
GROUNDING LUGS  
OPPOSITE CORNERS



SKID TAG NO: DMN-SKD-1012  
 PUMP TAG NO: DMN-PP-1012A; DMN-PP-1012B  
 DESCRIPTION: CYCLE WATER MAKE-UP  
 PROJECT TAG NUMBER: Gainesville Renewable Energy Center  
 (FAGEN Job Number: 104009.502)



**FUREY FILTER & PUMP, INC.**  
 N 117 W 19237 FULTON DR.,  
 GERMANTOWN, WI 53022  
 WWW.FUREYFP.COM (262)-293-0333

PROJECT DESCRIPTION GENERAL SERVICE PUMPS	DESIGNER E. RODRIGUEZ	PROJECT ENGINEER J. CAMPBELL	JOB J04366
DRAWING DESCRIPTION GENERAL ARRANGEMENT	DATE DRAWN 1/14/2012	DATE CHECKED 1/14/2012	REVISION 0
CUSTOMER FAGEN	DESIGN STATE WorkInProgress	SIZE D	
CUSTOMER P.O. NUMBER 554748	DRAWING NUMBER J04366-CWM-GA-0	SHEET 1 OF 2	

DIMENSIONS IN INCHES UNLESS SPECIFIED  
 ALL CUSTOMER CONNECTIONS HAVE A TOLERANCE OF ±.12"