

CJC Filter Separator
 Type PTU3 27/108 GP-E2PW
 General Arrangement

Respons. dept Date
 RSP 041220

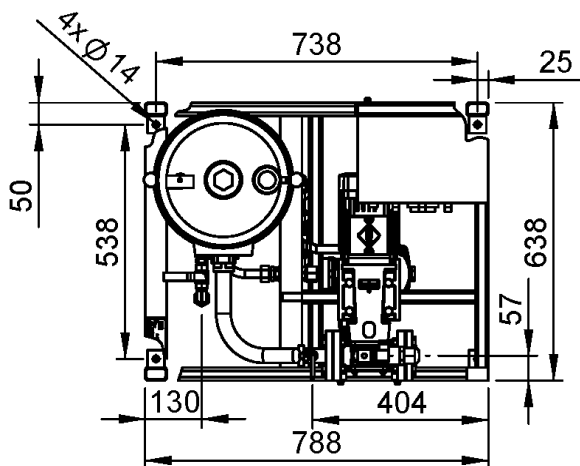
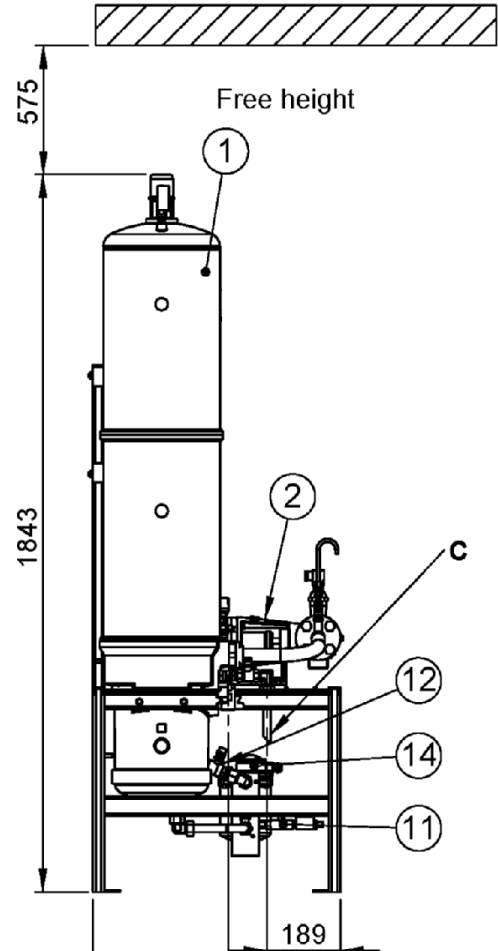
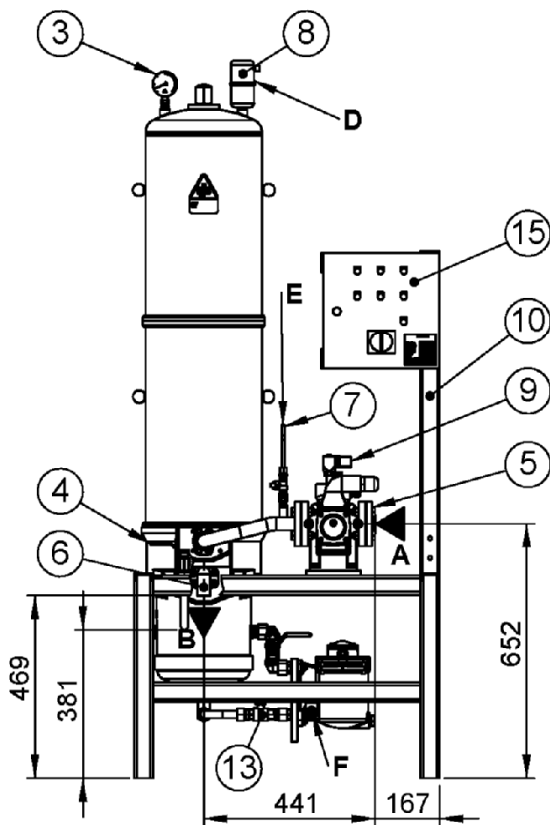
Reg.

Prepared
 Sandra Sjöström

Part no.:FA9700061-XYZ

This document is issued in Pulse.

We reserve all rights in this document and in the information contained therein. Reproduction, use or disclosure to third Parties without express authority is strictly forbidden.
 © Siemens Industrial Turbomachinery AB



Design pressure 4 bar (g).
Design temp. 80° C.

A= 1" BSP (ISO-G), Oil inlet, MAV15BR005
B= 1" BSP (ISO-G), Oil outlet, MAV15BR010
C= ø18 Drain valve, MAV15/20
D= 1/4" BSP (ISO-G), Aut. vent.
E= Sampling point
F= 1/4" BSP (ISO-G), Water outlet, MAV15/05

Weight ~180kg

Approved
 2004-12-22
 Jörgen Andersson

Checked
 2004-12-22
 Tommy Larsson

Latest revision
 U) Revised 2015-07-08 / TL
 S) Revised 2012-04-02 / JB
 T) Revised 2013-11-21 / CW

Archive
 HG
 3240

No.
 1CSD334739

CJC Filter Separator
Type PTU3 27/108 GP-E2PW
General Arrangement

Respons. dept Date
RSP 041220

Reg.

Prepared
Sandra Sjöström

This document is issued in Pulse.

Item	Description	Qty.
1	Filter Separator type PTU3 27/-108	1
2	Pump GP	1
3	Pressure gauge	1
4	Drain valve	1
5	Oil inlet	1
6	Oil outlet	1
7	Sampling point	1
8	Aut. air vent	1

Item	Description	Qty.
9	Pressure switch	1
10	Frame	1
11	Solenoid valve	1
12	Shut-off valve	1
13	Shut-off valve	1
14	Water discharger, aut.	1
15	Control box	1

X	Article No	Pump size	Filter size	Motor	Voltage	Frequency	Power	Current	F connection: NPT-threads
1	1CSD334739-1	GP26-6	27/108	IEC	400 V, 3ph	50 Hz	0,55 kW	1,8 A	No
2		GP26-6	27/108	IEC	400 V, 3ph	50 Hz	0,55 kW	1,8 A	Yes
3	1CSD334739-2*)	GP26-6	27/108	NEMA MG1	460 V, 3ph	60 Hz	0,55 kW	1,5/1,5 A	No
4		GP26-6	27/108	NEMA MG1	460 V, 3ph	60 Hz	0,55 kW	1,5/1,5 A	Yes
5	1CSD334739-3	GP26-6	27/108	Option	Option	Option	Option	Option	No
6		GP26-6	27/108	Option	Option	Option	Option	Option	Yes
7	1CSD334739-4*)	GP26-6	27/108	CSA	575 V, 3ph	60 Hz	0,55 kW	1,5/1,5 A	No
8		GP26-6	27/108	CSA	575 V, 3ph	60 Hz	0,55 kW	1,5/1,5 A	Yes

Y	Language: Documentation/Control box
0	English
1	German
2	Spanish
3	French
4	Chinese
5	Russian

Z	Vessel constructed according to:
1	ASME-VIII division 1
2	PED 97/23/EC (Annex 1, article 3, part 3)
3	optional

Details for fastening	Qty.
M12/80x178 expansion screws, hot dip galvanized	4

*) All components with electrical connections (also including junction boxes, cables, conduits, conduits details etc.) must comply with relevant North American standards for safety, and carry appropriate Nationally Recognized Testing Laboratories (NRTL's) certification mark. See the following web page for further information about registered certification marks: <http://www.osha.gov/dts/otpc/nrtl/nrtlmrk.html>

Notice! It is not allowed to use paint containing Chrome (VI) compounds.

Approved
2004-12-22
Jörgen Andersson

Checked
2004-12-22
Tommy Larsson

Latest revision
U) Revised 2015-07-08 / TL
S) Revised 2012-04-02 / JB
T) Revised 2013-11-21 / CW

Archive

HG
3240

No.

1CSD334739