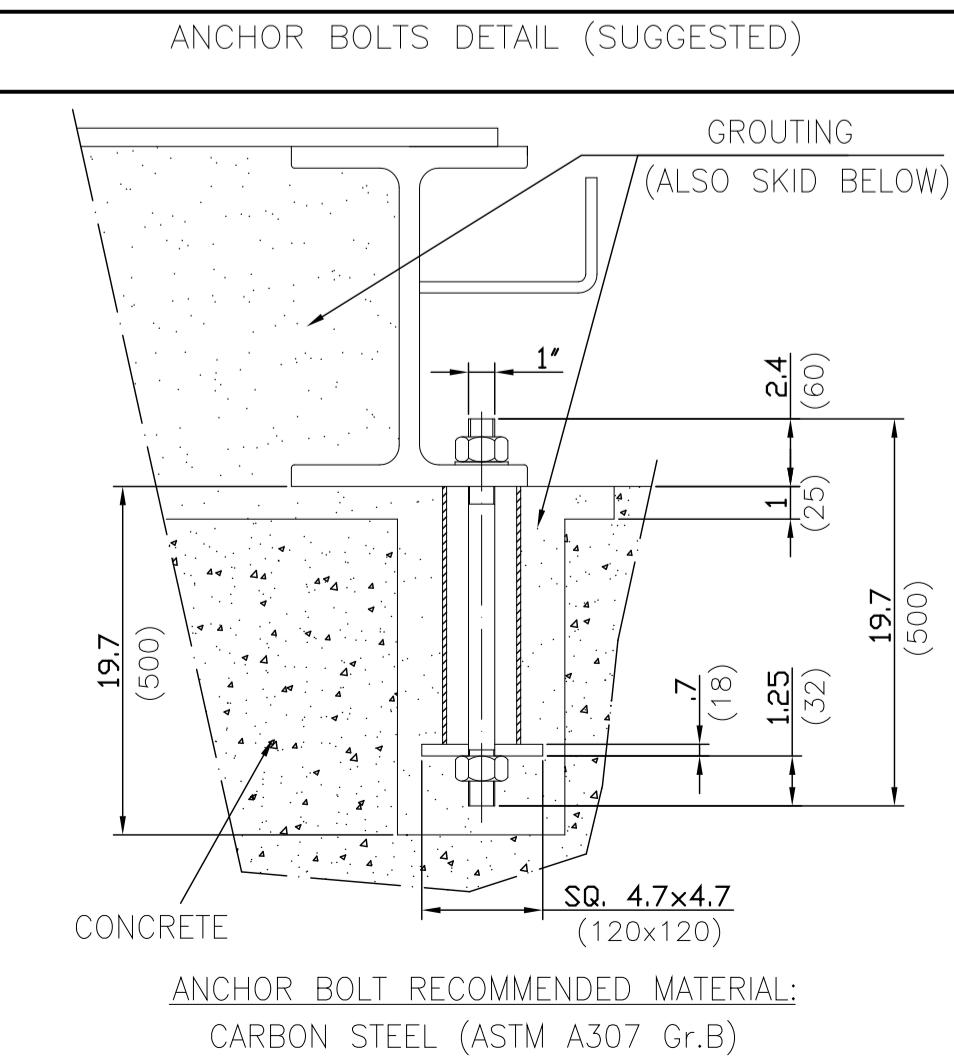
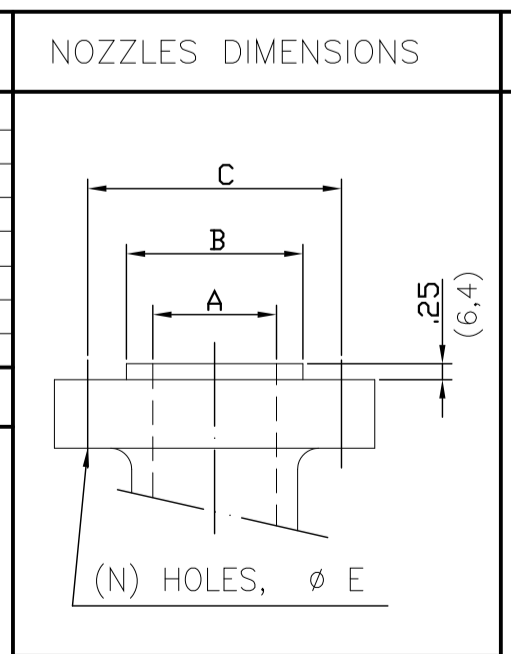


PUMP DATA		MOTOR DATA	
TYPE	6X15WXH	SUPPLIED	FLOWSERVE
NUMBER OF STAGES	7	MANUFACTURER	TECO
ROTATION:	CCW - HI	TYPE	ANZK-S2
R. P. M.	3580	POWER	3800 HP
SUCTION NOZLE	TO MATCH 8" ASME B16.5 CL.600 R.F.	SPEED	3600 R.P.M
DISCHARGE FLANGE	TO MATCH 6" ASME B16.5 CL.1500 R.F.	VOLTAGE	4000 V
		ENCLOSURE	WPII

MAXIMUM ALLOWABLE NOZZLE LOADS (2 x API)	
ANY DYNAMIC LOADS THAT MAY EXIST DUE TO RESIDUAL UNBALANCE ARE NEGLECTIBLE WITH REGARD TO FOUNDATION DESIGN AND LOADING.	
SUCTION (2x API 8TH ED.)	
FX = 1700 LBS.	MX = 5200 FT-LBS.
FY = 1400 LBS.	MY = 2600 FT-LBS.
FZ = 2200 LBS.	MZ = 3800 FT-LBS.
FR = 3120 LBS.	MR = 7000 FT-LBS.
DISCHARGE (2x API 8TH ED.)	
FX = 1120 LBS.	MX = 3400 FT-LBS.
FY = 920 LBS.	MY = 1740 FT-LBS.
FZ = 1400 LBS.	MZ = 2600 FT-LBS.
FR = 2020 LBS.	MR = 4620 FT-LBS.



CUSTOMER CONNECTIONS	
D BASEPLATE DRAIN	1" NPT
E BEARING BRACKET DRAIN (D.E. & N.D.E.)	1" NPT
G PUMP DRAIN	1" ANSI B16.5 CL.1500 R.F.
H PRE-WARMING	1-1/2" ANSI B16.5 CL.1500 R.F.
G1 SUCTION	8" ANSI B16.5 CL.600 R.F.
G2 DISCHARGE	6" ANSI B16.5 CL.1500 R.F.
G3 BALANCE LINE	1-1/2" ANSI B16.5 CL.900 R.F.
R1 COOLING WATER INLET (MECHANICAL SEALS)	1" ANSI B16.5 CL.150 R.F.
R2 COOLING WATER OUTLET (MECHANICAL SEALS)	1" ANSI B16.5 CL.150 R.F.
R3 COOLING WATER INLET (LUBE OIL SKID)	1" ANSI B16.5 CL.150 R.F.
R4 COOLING WATER OUTLET (LUBE OIL SKID)	1" ANSI B16.5 CL.150 R.F.

APPROX. WEIGHTS		TOLERANCES	
PUMP	8,752 LBS	3,970 Kg.	NOZZLES AND CONNECTIONS LINEAL: ±.25 (±6 mm) ANGULAR: ±1° IN ANY DIRECTION OTHER DIMENSIONS: ±1% ALL DIMENSIONS IN INCHES MILIMETERS ()
ELEC. MOTOR	13,890 LBS	6,300 Kg.	
BASEPLATE	11,025 LBS	5,000 Kg.	
LUBE SKID	485 LBS	220 Kg.	
ACCESSORIES	1,323 LBS	600 Kg.	
TOTAL	35,472 LBS	16,090 Kg.	

FOR GENERAL NOTES SEE 6X15WXH86XE52 SHEET 2/2

P.O. NUMBER: 104009	FLOW: 2175 gpm
END USER: Gainesville Renewable Energy	HEAD: 5580 ft
JOB: FAGEN GAINESVILLE	BHP: 3451.1 BHP
PLANT: FAGEN GAINESVILLE	EFFICIENCY: 82.5%
UNIT: 6X15WXH-7	RPM: 3580 rpm
SERVICE: BFP	FLUID: Feedwater
ITEM: 6X15WXH-7	TEMPERATURE: 278 °F
SERIAL No.:	S.G.: 0.929 kg/m ³

CUSTOMER INFORMATION

1st Angle Projection

STATUS OF APPROVAL			GENERAL ARRANGEMENT PUMP TYPE 6X15WXH-7
ORDER No.	DATE		
DRAWN BY	DATE		
CHECKED BY	DATE		

APPROVAL NOTE TO CUSTOMER

ISO 1503 CONVENTION

SCALE: A1 NTS UNITS: mm SHEET NO: 1/2 REV: A