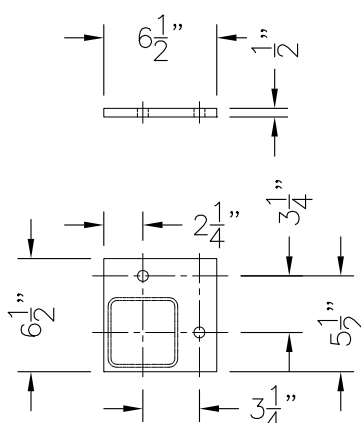
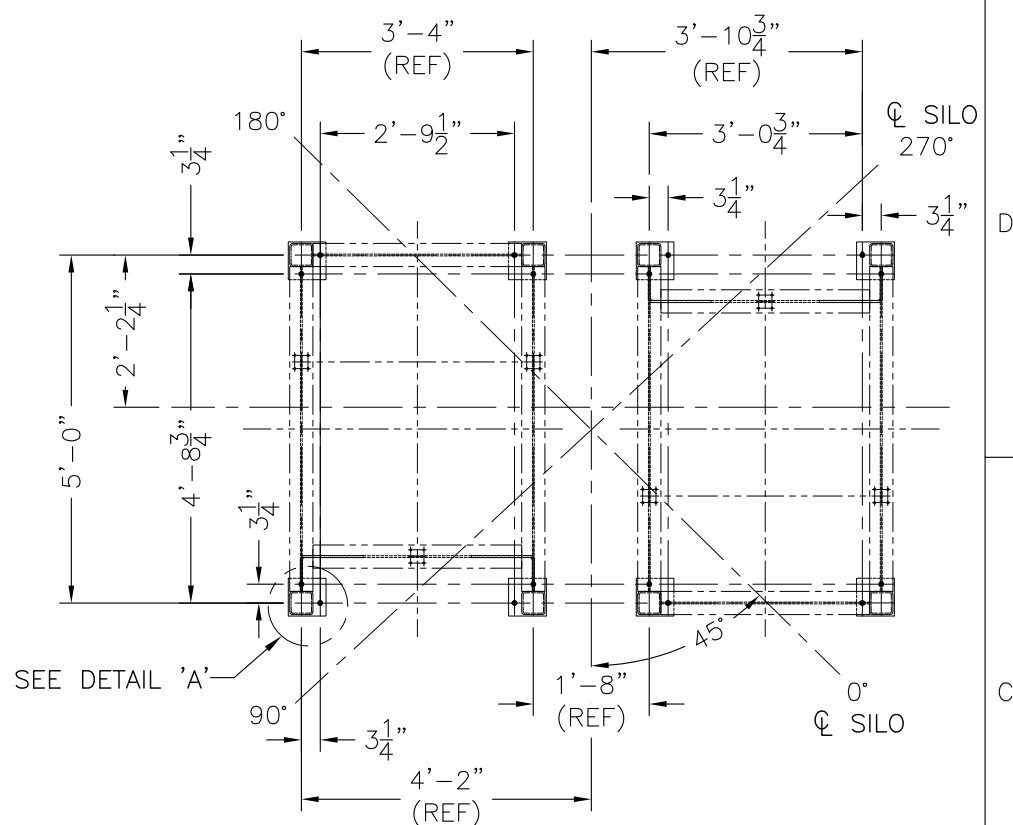
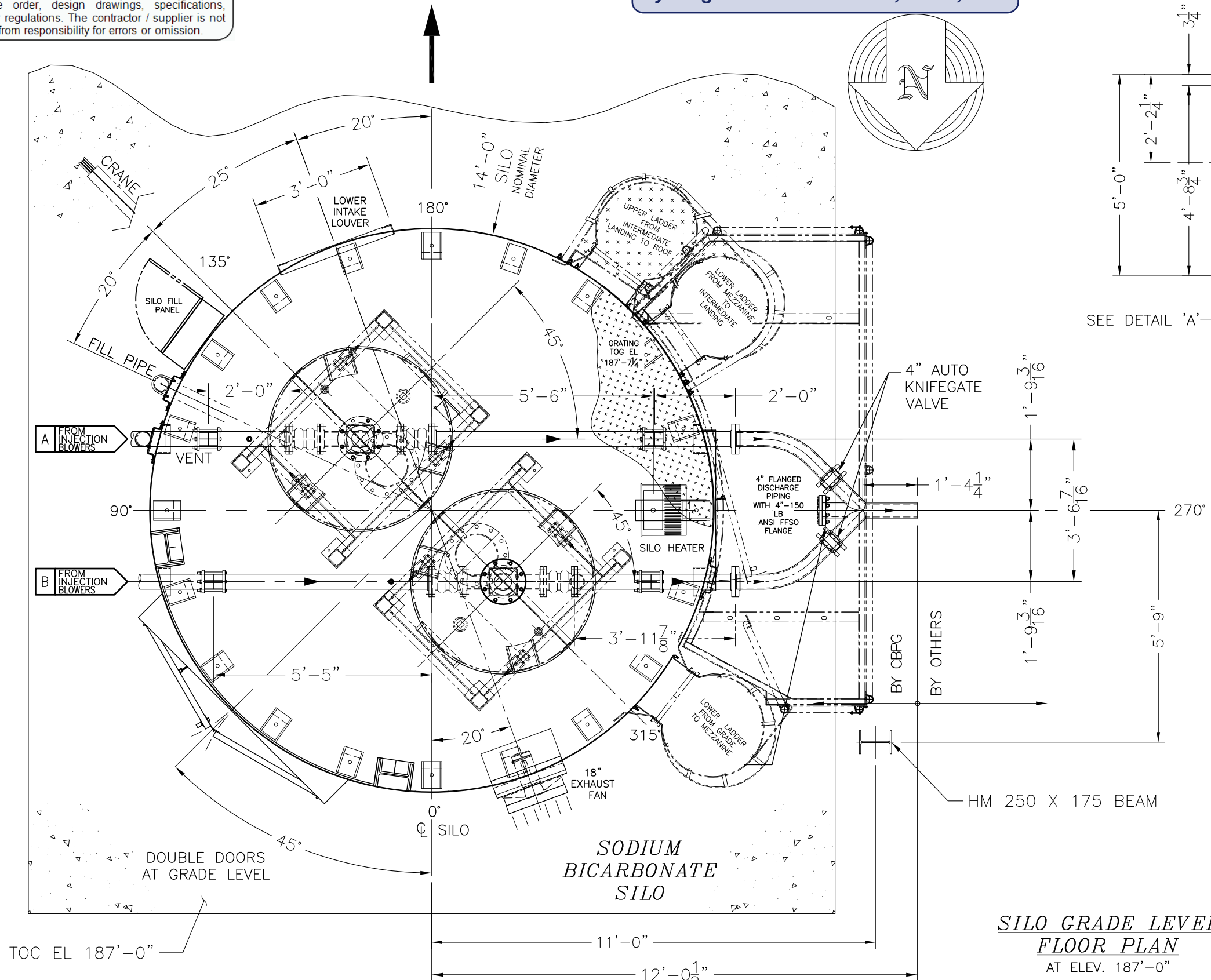




This review does not supersede requirements of purchase order, design drawings, specifications, codes or regulations. The contractor / supplier is not relieved from responsibility for errors or omission.

TO ACTIVATED CARBON SILO
REF DWG No. D1200 SHEET 1

REVIEWED
By Greg Holleman at 9:16 am, Jul 03, 2012



CERTIFIED
For: METSO POWER INC.
P.O. No.: 40034B-2
By: R. LE GOFF
Date: 6/14/12

METSO DOC. ID# P00104087

THIS DOCUMENT AND THE INFORMATION IT CONTAINS ARE THE PROPERTY OF CLYDE BERGEMANN EEC, ARE DISCLOSED IN CONFIDENCE FOR LIMITED USE, AND MUST BE SURRENDERED TO CLYDE BERGEMANN EEC ON DEMAND. DISCLOSURE, PUBLICATION, DUPLICATIONS, OR DISTRIBUTION OF THIS DOCUMENT WITHOUT PRIOR WRITTEN AUTHORIZATION FROM CLYDE BERGEMANN EEC IS PROHIBITED. COPYRIGHT CLYDE BERGEMANN EEC AS OF THE DATE "DRAWN" OR "REVISED".

CLYDE BERGEMANN EEC
7380 Coca-Cola Drive
Baltimore, MD 21076 USA

METSO POWER
METSO PROJECT 190022 GREC
GAINESVILLE, FLORIDA

BIOMASS GENERATING FACILITY
SODIUM BICARBONATE SILO
GENERAL ARRANGEMENT - GRADE LEVEL PLAN
CONTRACT NO. 440034B DWG. NO. D1100 SHT. 5 OF 5

DRAWN	BH	03.09.12	CHECKED	RLG	03.28.12	APPROVED	ATC	03.29.12	SCALE:	REV. 1
APP'D	RLG	06.13.12	APPROVED	RLG	03.29.12	APPROVED	ATC	03.29.12		

REV.	ZONE	DESCRIPTION	APP'D	DATE	REV.	ZONE	DESCRIPTION	APP'D	DATE	APPROVED
1	-	REVISED PER CUSTOMER COMMENTS			1	-	REVISED PER CUSTOMER COMMENTS			RLG 06.13.12
0	-	INITIAL ISSUE OF ADDED SHEET 5			0	-	INITIAL ISSUE OF ADDED SHEET 5			RLG 03.29.12

M014200-BLRM00771 S05 R1

RECEIPT ACKNOWLEDGED Confirmation that an information only drawing/document has been received